



COOPERATIVE/PIGGYBACK PURCHASE AGREEMENT

AGREEMENT SUMMARY:

1. Cooperative/Piggyback Name:	General Services Administration Federal Acquisition Service Authorized Federal Supply Schedule FSS Price List
2. Contractor:	Safe Boats International, LLC.
3. Cooperative Agency Agreement Name and Agreement Number:	Safe Boats International, LLC. 47QSWA18D005J
4. Cooperative Agency Initial Agreement Term:	Start Date: 06/05/2018 End Date: 06/04/2028
5. Cooperative Agency's Agreement-Options to extend:	N/A
6. Cooperative Agency Amended Term:	N/A
7. Cooperative Agency Remaining Options to Renew:	N/A
8. City of Stockton Cooperative Purchase Agreement Term:	Start Date: 10/01/2024 End Date: 06/30/2026
9. City of Stockton Cooperative/ Piggyback Purchase Agreement Amount:	Not to Exceed \$610,000 for the term of the Agreement.

AGREEMENT

The City of Stockton, a California municipal corporation on behalf of itself and its associated entities ("City"), and the above-named Contractor ("Contractor"), do hereby agree that City shall be granted the pricing, terms, and conditions under the above referenced Safe Boats International, LLC. ("COOP") as such may be amended from time to time. The COOP and associated documents referenced in the agreement are incorporated herein as Exhibit A to this City Cooperative/Piggyback Purchase Agreement ("Agreement").

Contractor shall grant such pricing, terms, and conditions to City for all procurements of goods and services, whether taking place on a City purchase order, purchasing card (credit card), or other purchasing modality, whether via telephone, via the Contractor website, or via direct purchase at a Contractor retail location.

1. **Agreement Term:** The Term of this Agreement shall remain in effect from date of the signing of this Agreement through June 30, 2026 unless terminated earlier by the City.
2. **Insurance and Hold Harmless:** In addition to the pricing, terms and conditions stated in the COOP and the associated documents incorporated herein as Exhibit A, Contractor shall, at Contractor's sole cost and expense and for the full term of the Agreement or any extension thereof, obtain and maintain at least all the insurance requirements listed in attached Exhibit B.

To the fullest extent permitted by law, Contractor shall hold harmless, defend and indemnify City of Stockton and its officers, officials, employees and volunteers from and against any and all liability, loss, damage, expense, costs (including without limitation costs and fees of litigation) of every nature arising out of or in connection with Contractor's performance of work hereunder or its failure to comply with any of its obligations contained in the agreement, except such loss or damage which was caused by the sole negligence or willful misconduct of the City of Stockton. This obligation is independent of, and shall not in any way be limited by, the minimum Insurance obligations contained in this Agreement. These obligations shall survive the completion or termination of this Agreement.

3. **Compensation:** City and Contractor do hereby enter into this Agreement for Police Boats available in the above-named COOP and associated documents incorporated herein as Exhibit A and referenced in the attached quote Exhibit C. In no way, shall payment to the Contractor during the term of this Agreement exceed \$610,000 for the purchase of Police Boats. Any person signing this Agreement on behalf of City or Contractor does warrants that he or she has full authority to do so.

4. **Governing Law.** California law shall govern any legal action pursuant to this Agreement with venue for all claims in the Superior Court of the County of San Joaquin, Stockton Branch or, where applicable, in the Federal District Court of California, Eastern District, Sacramento Division.

5. **Applicable Law.** Deliverables must conform with all applicable federal, state, and local laws. Such conformity includes compliance with federal sanctions, and Contractor certifies that it has not and will not engage in prohibited transactions with sanctioned persons or entities.


6. **Special Funding.** If Special Funding is applicable, Exhibit D – Special Funding Terms & Conditions are incorporated herein.

This Agreement may be amended only by a written amendment, consistent with the COOP, signed by Contractor and City.

CITY OF STOCKTON

CONTRACTOR NAME.

Harry Black, City Manager

By:  _____
Signature

Date: _____

Tom Gumpert
Print name

ATTEST:

Title: Chief Financial Officer

Eliza R. Garza CMC, City Clerk

*[If Contractor is a corporation, signatures must
comply with Corporations Code §313]*

APPROVED AS TO FORM:

By: _____
Signature

Lori Asuncion, City Attorney

Print name

Title: _____



**GENERAL SERVICES ADMINISTRATION
FEDERAL ACQUISITION SERVICE
AUTHORIZED FEDERAL SUPPLY SCHEDULE FSS PRICE LIST**

**MULTIPLE AWARD SCHEDULE
FSC GROUP
LAW ENFORCEMENT & SECURITY EQUIPMENT**

Safe Boats International, LLC

8800 Barney White Road

Bremerton, WA 99312

Phone: (360) 674-7161

Fax: (360) 674-7149

<http://www.safeboats.com>

Contract Administrator: Troy Knivila-Ritchie

Email: Tknivila-ritchie@safeboats.com

CONTRACT NUMBER: 47QSWA18D005J

PERIOD COVERED BY CONTRACT:

June 5, 2018 through June 4, 2028

BUSINESS SIZE:

Small Business

Pricelist current through Modification #PX-00XX, effective June XX, 2024

On-line access to contract ordering information, terms and conditions, up-to-date pricing, and the option to create an electronic delivery order are available through GSA Advantage!®, a menu-driven database system. The INTERNET address GSA Advantage!® is: [GSAAdvantage.gov](https://www.gsa.gov/schedules).

For more information on ordering, go to the following website: <https://www.gsa.gov/schedules>

Prices Shown Herein are Net (discount deducted)



INFORMATION FOR ORDERING ACTIVITIES
--

- 1a. AUTHORIZED SPECIAL ITEM NUMBERS (SINs):
- | <u>SIN</u> | <u>DESCRIPTION</u> |
|-----------------|-----------------------------|
| 336612/RC/STLOC | Marine Craft |
| OLM/RC/STLOC | Order-Level Materials (OLM) |

1b. Lowest Priced Model Number and Price for each SIN: See Price List

1c. SERVICES OFFERED: See Price List

2. MAXIMUM ORDER PER SIN:

<u>SIN</u>	<u>MAXIMUM ORDER</u>
336612/RC/STLOC	\$250,000
OLM/RC/STLOC	\$250,000

This maximum order threshold is a dollar amount at which it is suggested that the ordering agency request higher discounts from the contractor before issuing the order. The contractor may: (1) Offer a new lower price, (2) Offer the lowest price available under the contract, or (3) Decline the order within five (5) days. In accordance with the Maximum Order provisions contained in the Schedule, a delivery order may be placed against the Schedule contract even though it exceeds the maximum order threshold.

3. MINIMUM ORDER LIMITATION: *1 Boat*

4. GEOGRAPHIC COVERAGE (DELIVERY AREA): *Domestic, 48 contiguous states, Washington D.C., and Point of Embarkation to Nearest Coast for Alaska, Hawaii, Puerto Rico, and US Territories.*

5. POINT OF PRODUCTION: *Bremerton, WA*

6. BASIC DISCOUNT: *Prices listed are net, discounts have been deducted and the industrial funding fee has been added.*

7. QUANTITY DISCOUNT: *An additional 1.5% on 3 or more identical model boats including options (not to include open market) or an additional 2.0% on 5 or more identical boat models including options (not to include open market) or an additional 2.5% on 10 or more identical boat models including options (not to include open market).*

8. PROMPT PAYMENT TERMS: *Net 30 Days ARO (not including open market items). Information for Ordering Offices: Prompt payment terms cannot be negotiated out of the contractual agreement in exchange for other concessions.*

9. FOREIGN ITEMS: *None*

10a. TIME OF DELIVERY: *547 Days ARO*

10b. EXPEDITED DELIVERY: *Contact Contractor*

10c. OVERNIGHT AND 2-DAY DELIVERY: *Not Applicable*

10d. URGENT REQUIREMENTS: *None*

11. F.O.B. POINT: *Origin*
- 12a. ORDERING ADDRESS: *Safe Boats International, LLC
8800 Barney White Road
Bremerton, WA 98312*
- 12b. ORDERING PROCEDURES: *For supplies and service the ordering procedures, information on Blanket Purchase Agreements (BPAs), and a sample BPA may be found at the GSA/FSS Schedule homepage (gss.gsa.gov/schedule).*
13. PAYMENT ADDRESS: *Same as ordering address*
14. WARRANTY PROVISION: *Standard Commercial Warranty*
15. EXPORT PACKING CHARGES: *Not Applicable*
16. TERMS AND CONDITIONS OF RENTAL: *Not Applicable*
17. TERMS AND CONDITIONS OF INSTALLATION: *Not Applicable*
- 18a. TERMS AND CONDITIONS OF REPAIR PARTS: *Not Applicable*
- 18b. TERMS AND CONDITIONS FOR ANY OTHER SERVICES: *Not Applicable*
19. LIST OF SERVICE AND DISTRIBUTION POINTS: *Not Applicable*
20. LIST OF PARTICIPATING DEALERS: *Not Applicable*
21. PREVENTIVE MAINTENANCE: *Not Applicable*
- 22a. SPECIAL ATTRIBUTES: *Not Applicable*
- 22b. SECTION 508 COMPLIANCE INFORMATION: *Not Applicable*
23. UNIQUE ENTITY IDENTIFIER (UEI) NUMBER: *NG5DSM9C8EE7*
24. CONTRACTOR HAS REGISTERED IN THE SYSTEM FOR AWARD MANAGEMENT (SAM) DATABASE:
CAGE CODE: 1RSZ1

SIN	MFR PART NO	PRODUCT DESCRIPTION	GSA PRICE
336612	P04733	(1) Blac-Rac Marinus 1091E Tactical Weapons Mount w/ Elec Release.	\$ 1,066.39
336612	P05230	(1) Custom SBI 24"L x 10"Dia Large Round Fender w/ Fender Whip.	\$ 450.08
336612	P03917	(1) Johnson Pump Bilge Alert High Water Alarm w/ Ultima Switch, 12V.	\$ 302.59
336612	P02317	(2) Dr LED 1,500 Lumens 4" Neptune X6 LED Thru-Hull U/W Lights, White.	\$ 1,816.33
336612	P03544	(2) Laurus Systems Mini Rad-V G2 Radiation Detectors Mounted on Exterior Cabin Top.	\$ 12,324.52
336612	P02586	(2) Lumitec Sea Blaze 3 Underwater Lights, Blue.	\$ 1,161.78
336612	P02316	(2) Rigid Industries Flush Mount SRQ Pro Spot, LED Spot Lights Installed on Bow on SAFE 33 FC.	\$ 968.00
336612	P04680	(2) SBI Universal Gun Locks Installed in Aft Cabin.	\$ 450.75
336612	P04682	(2) SBI Universal Gun Locks Installed in Forward Cuddy Sheer Deck.	\$ 450.75
336612	P04681	(2) SBI Universal Gun Locks Installed in Forward Cuddy.	\$ 450.75
336612	P04685	(2) SBI Universal Gun Locks Installed in T-Top Bolster.	\$ 450.75
336612	P03534	(2) Whelen L31 Low Profile LED Law Enforcement Strobes, Red.	\$ 1,022.86
336612	P03535	(2) Whelen L32 Series Super-LED Law Enforcement LED Beacons, Blue.	\$ 1,037.35
336612	P03572	(2) Whelen R416BF Rota-Beam R416 Series Super LED Rotating Beacons, Blue w/ Flat Mount Bases.	\$ 1,739.63
336612	P03525	(4) Whelen ION Series Brow Strobes - (2) Red / (2) Amber	\$ 1,331.58
336612	P02278	110VAC 60Hz Shore Power Kit/Victron Chargers w/ Gen on SAFE 44FC-I.	\$ 4,758.07
336612	P02290	110VAC Shore Power Kit - 3 Battery System w/ Pronautic	\$ 3,359.53
336612	P02295	110VAC Shore Power Kit w/ (2) Port & (2) Stbd Smart Plug Inlets & 6 Batt. Sys. on SAFE 33 FC-Fire.	\$ 6,762.26
336612	P02294	110VAC Shore Power Kit w/ Generator - 3 Battery System W/ ProNauticP	\$ 3,475.46
336612	P02296	110VAC Shore Power Kit w/ Generator - 4 Battery System W/ ProNauticP	\$ 3,569.73
336612	P02297	110VAC Shore Power Kit w/ Generator - 5 Battery System W/ ProNauticP	\$ 4,029.40
336612	P01870	12VDC Anchor, Windlass & Anchor Locker Package on SAFE 41 FC-OS.	\$ 7,902.58
336612	P02286	230VAC 50Hz Shore Power Kit/Victron Chargers w/ Gen on SAFE 44FC-I.	\$ 5,054.86
336612	P03925	30in Life Ring Buoy w/ Distress Marker Light.	\$ 472.82
336612	P04768	3-Piece Davit w/ 150ft Line Spool Mounted on Port Aft Locker.	\$ 5,129.55
336612	P04766	3-Piece Davit w/ 150ft Line Spool.	\$ 4,788.40
336612	P02578	ACR RCL-100 LED Remote Control Searchlight, 220,000 CD, 12/24VDC.	\$ 1,950.62
336612	P00225	Add (1) Lewmar Low Profile Hatch w/ Stay.	\$ 804.48
336612	P00604	Add (2) Overhead Grab Rails to Cabin Interior Headliner on SAFE 31 SP-MT.	\$ 1,034.61
336612	P03902	Add (3) Adjustable / Folding Dive Tank Holders to Fwd Face of Port Aft Locker on SAFE 10 Wide.	\$ 319.40
336612	P02318	Add (4) Dr LED Floods, (2) Fwd, (1) Port and (1) Stbd on SAFE 41 FC-OS.	\$ 1,196.84
336612	P02004	Add Aft Tow Post and Tow Line Guide to SAFE 41 CC-OS.	\$ 1,565.99
336612	P04065	Add Custom Aft Deck Aluminum Pipe Structure w/ Lace On Bimini Top on SAFE 41 WAC.	\$ 8,747.78
336612	P00669	Add Custom Console to Positions 3 & 5 on SAFE FC.	\$ 3,242.74
336612	P04073	Add Custom Fit Heated Pads to Forward & Aft Decks on SAFE 31FC.	\$ 11,920.77
336612	P04074	Add Custom Fit Heated Pads to Forward & Aft Decks, and Generator Space on SAFE 33 FC - Fire.	\$ 12,818.37
336612	P00617	Add Custom Reinforced Push Knees on SAFE 31 SP-MT to Accommodate Wide Drop Bow.	\$ 4,995.39
336612	P00655	Add Custom Taller Bow Handrails for Boarding Operations from Bow on SAFE 41 Hull.	\$ 877.59
336612	P03584	Add MES-12L 12VDC Marine Air Conditioning System to Forward Cuddy on SAFE 41 FC-OS.	\$ 8,141.58
336612	P01894	Add Outboard Motor Guard to SAFE 41 CC-OS.	\$ 863.80
336612	P01196	Add Reinforced Collar Chafe Guard to Port & Stbd Fwd Quarter of SAFE 41 FC-OS.	\$ 3,354.25
336612	P01130	Add SHOXS TRAXS System to Aft Deck on SAFE 41 Interceptor - MMI.	\$ 10,292.23
336612	P01845	Add Topside Paint and Upgrade to Paint On Non Skid on SAFE 27 WAC.	\$ 20,412.42
336612	P01133	Add Upholstered Back Rests & Seat Cushions to Aft Port & Stbd Lockers on SAFE 35 FC.	\$ 480.99
336612	P04948	Aft Locker Darley HGE 37V Fire Pump w/ Elec Prime, Manual Monitor & Handline Port w/ Manual Valve.	\$ 99,752.41

SIN	MFR PART NO	PRODUCT DESCRIPTION	GSA PRICE
336612	P04954	Aft Locker Darley HGE 37V Fire Pump w/ Elec. Prime, Remote Monitor & Handline Port w/ Elec. Valve.	\$ 108,729.40
336612	P04955	Aft Locker Darley HGE 37V Fire Pump w/ Elec. Prime, Remote Monitor & Handline Ports w/ Elec. Valve.	\$ 110,214.91
336612	P04088	Aft Locker Generator Cold Weather Upgrade Kit.	\$ 1,127.73
336612	P03451	Airmar SS175HW Wide-Beam CHIRP SS Thru Hull Transducer w/ Raymarine Adapter Cable	\$ 1,673.79
336612	P05069	Anchor Kit 17'-25'	\$ 665.89
336612	P05070	Anchor Kit 27'-31'	\$ 609.63
336612	P05071	Anchor Kit 33'-38'	\$ 712.29
336612	P05072	Anchor Kit 39'-45'	\$ 1,113.43
336612	P01400	Apply Heat Reflective Paint to Cabin Top on SAFE 41 FC-OS.	\$ 1,677.65
336612	P02619	Argonaut Cambria Mini PC with GB15XL Marine Monitor.	\$ 6,574.78
336612	P01528	Black Rubberized Dash Skid	\$ 1,015.11
336612	P01423	Black Rubberized Rail Wrap on SAFE 3310 Full Cabin - 35'-3" (LOA) x 10' (BOA)	\$ 1,740.91
336612	P05288	Boatmaster Aluminum 30,000lb GVW (25,000lb Net Cap) Trailer for SAFE 3812 Hulls.	\$ 47,361.70
336612	P05310	Boatmaster Aluminum Trailer, 30,000lb GVW (25,500lb Net Cap), for SAFE 41 Stepped Hull.	\$ 49,729.34
336612	P05299	Boatmaster Trailer, Aluminum 18,000lb GVW (15,000lb Net Cap), for SAFE 31 SP-MT.	\$ 25,333.52
336612	P01260	Bow Cover 1 Piece, 10' Wide.	\$ 1,502.32
336612	P01258	Bow Cover 1 Piece, 8' 6" Wide.	\$ 1,261.72
336612	P02009	Change Switches on OHIP Switch Panel to Switches w/ No Indicator Light.	\$ 53.80
336612	P01489	Collar Identification - Bow.	\$ 203.87
336612	P00157	Custom Bolt-In Port & Stbd Aft Cabin Seat Storage Boxes/Work Stations for Aft Cabin Seating. (Seats Sold Separately)	\$ 2,660.65
336612	P03626	Custom Marine Grade Fresh Water Flushing Head in Cuddy on SAFE 3812 FC.	\$ 10,239.57
336612	P02843	David Clark 9100 Wireless Digital Intercom System, 4 Position/ Radios, 4 Wired/4 Wireless Stations.	\$ 15,832.26
336612	P02841	David Clark 9100 Wireless Digital Intercom System, 4 Position/3 Radios, 3 Wired/4 Wireless Stations.	\$ 15,715.97
336612	P03891	Dive Ladder SS Garelick 4-Rung w/ Storage Mount.	\$ 1,387.20
336612	P05086	Docking Kit for 17'-38' Hulls.	\$ 490.89
336612	P05087	Docking Kit for 39'-45' Hulls	\$ 877.31
336612	P03601	Dometic DuraSea 15,000 BTU Roof Top Air Conditioner, 115VAC 60Hz.	\$ 2,721.54
336612	P04603	Dual Cat C9 567HP Diesel Engines w/ ZF 305 Gears, and Drive Lines on SAFE 44 FC-I.	\$ 186,666.50
336612	P03596	Dual Cruisair A/C 16,000BTU 110v 60Hz w/Pump, 44FC-I	\$ 14,657.21
336612	P03594	Dual Cruisair A/C 16,000BTU 230v 50Hz w/Pump, 44FC-I	\$ 14,251.40
336612	P04440	Dual Suzuki 300HP Outboard Rigging w/ Manual Hydraulic Steering, Dual Cylinder & Elec. Controls.	\$ 14,301.16
336612	P04647	Engine Rigging for Dual Cat C9 567HP Engines w/ 24VDC Electric Shift on SAFE 44 FC-I.	\$ 46,945.15
336612	P02894	FLIR M364C LR Dual Payload Stabilized 640 Thermal 24 Deg FoV & HD Color Low-Light Camera w/o JCU.	\$ 33,242.65
336612	P02897	FLIR M400XR Multi Sensor Camera System w/ Video Tracking & Temperature Software.	\$ 88,718.41
336612	P03583	Fresh Water Washdown System on SAFE 41 FC-OS.	\$ 1,797.85
336612	P02620	Furuno 520-PLD Plastic Thru-Hull Transducer.	\$ 237.75
336612	P02604	Furuno Antenna Cable Assembly, 2 x TNC-P, 15 Meters.	\$ 192.14
336612	P02679	Furuno BBWX4 Sirius/XM Satellite Weather Receiver for NavNet TZtouch & TZtouch2.	\$ 760.36
336612	P02849	Furuno DFF3D Multi-Beam Sonar for NavNet TZtouch and TZtouch2. (Transducer Sold Separately).	\$ 2,224.36
336612	P02856	Furuno DRS25ANXT 200W, Solid State Doppler Radar w/ 4' Open Array & 12/24VDC Converter.	\$ 10,648.11
336612	P02878	Furuno FA170E Encrypted Class A E-AIS Transponder w/ 4.3" Color LCD Display.	\$ 11,324.21

SIN	MFR PART NO	PRODUCT DESCRIPTION	GSA PRICE
336612	P02601	Furuno Lan Cable Assembly, 2 Meters, 2x RJ45 Connectors.	\$ 109.03
336612	P02978	Furuno MCU004 Remote Control for NavNet TZtouch/NavNet TZtouch2.	\$ 518.67
336612	P03474	Furuno NavNet TZT12F TZtouch3 Chart Plotter/Fish Finder 12" Hybrid Control IPS Display.	\$ 4,245.72
336612	P03475	Furuno NavNet TZT16F TZtouch3 Chart Plotter/Fish Finder 16" All-Glass IPS Display FULL HD.	\$ 6,085.62
336612	P03002	Furuno NavPilot 300 Adaptive Autopilot w/ 4.1" Color LCD & Gesture Controller.	\$ 2,337.29
336612	P03415	Furuno PSU012 Power Supply for DRS Radars, NavNet 3D and TZtouch.	\$ 1,013.64
336612	P03443	Furuno SCX20 Compact Dome Satellite Compass.	\$ 1,513.92
336612	P02915	Garmin GMR Fantom 24 - 24" Dome Radar w/ MotionScope Technology.	\$ 2,993.70
336612	P02933	Garmin GPSMAP 8610xsv 10" Touch HD Chartplotter/Sonar Combo w/ Preloaded HD Maps.	\$ 2,881.73
336612	P02934	Garmin GPSMAP 8612 12" Touch HD Chartplotter w/ Preloaded HD Maps.	\$ 3,561.24
336612	P02935	Garmin GPSMAP 8612xsv 12" Touch HD Chartplotter/Sonar Combo w/ Preloaded HD Maps.	\$ 4,069.42
336612	P02937	Garmin GPSMAP 8616xsv 16" Touch HD Chartplotter/Sonar Combo w/ Preloaded HD Maps.	\$ 5,977.98
336612	P02944	Garmin GT30-TM Transom Mount ClearVu/SideVu 500W Transom Mount Transducers on SAFE 10'+ Wide Boat	\$ 859.20
336612	P02939	Garmin Plastic Thru-hull Mount Transducer w/ Depth & Temp (8-pin) - Airmar P319	\$ 404.84
336612	P00802	i3MM Marine Suspension Seat w/ Black Upholstery, Fore/Aft Adjust, Head Rest, Arm Rests & Seat Belt.	\$ 1,352.30
336612	P02739	Icom CommandMic IV (HM-195B) Remote Control Microphone (Black) for IC-M506 VHF Radio.	\$ 349.07
336612	P02813	Icom M605 VHF Marine Transceiver w/ Shakespeare 5' VHF Antenna.	\$ 1,668.51
336612	P02811	Icom M605 VHF Marine Transceiver w/ Shakespeare PHASE III 6225 8' VHF Antenna w/ SS Ratchet Mount.	\$ 1,766.48
336612	P02730	Install (1) Customer Supplied Cradepoint IBR 1700 Router and (1) PTA-PRO5R-2XLTE-2XWIFI-GPS Antenna.	\$ 565.32
336612	P02705	Install (1) Customer Supplied Motorola APX7500 Dual Band Radio w/ (1) STI-CO Tri-Band Antenna.	\$ 545.78
336612	P02301	Install (6) Small LED Lights on Cabin Top, (3) Port & (3) Stbd), to Illuminate when Shore Power in ON.	\$ 458.80
336612	P02617	Install Customer Supplied Harris M7300 Radio & Antenna.	\$ 520.94
336612	P04913	Install Seakeeper 5 on SAFE 3812FC.	\$ 78,221.60
336612	P02067	Kohler 6KW 6EKOD 60Hz Diesel Generator w/ 10 Gal Diesel Tank in Aft Lockers on SAFE 10 Wide.	\$ 22,581.56
336612	P02068	Mase IS7.1kW 60Hz Diesel Gen w/ 18Gal Tank.	\$ 26,315.65
336612	P03661	Microwave 110VAC 60Hz & Refrigerator 110VAC/24VDC in Galley on SAFE 44 FC-I.	\$ 2,123.11
336612	P03662	Microwave 110VAC 60Hz & Refrigerator 24VDC in Galley on SAFE 44 FC-I.	\$ 2,128.55
336612	P03663	Microwave 230VAC 50Hz & Refrigerator 230VAC/24VDC in Galley on SAFE 44 FC-I.	\$ 2,366.68
336612	P03664	Microwave 230VAC 50Hz & Refrigerator 24VDC in Galley on SAFE 44 FC-I.	\$ 2,116.57
336612	P00155	Modify Aft Cabin to Include Interior Bolster Locker w/ Exterior Locker Doors on SAFE 41 EXT-WAC.	\$ 909.99
336612	P00164	Modify Aft Locker & Add Generator Slide Tray to Aft Locker Generator on SAFE 41 Hull.	\$ 2,474.22
336612	P00162	Modify Port Interior Seating & Fwd Deck on SAFE 31 SP-MT to Accept Aft Locker Fire System.	\$ 889.83
336612	P03410	Newmar PA-60/40 Hailing / Fog Horn Speaker w/ Listen Back.	\$ 343.77
336612	P02075	Northern Lights 6kW 60Hz Diesel Generator. (Diesel Tank Sold Separately)	\$ 24,013.61
336612	P04746	Port and Starboard Weapons Mount Foundations - Level 1 on SAFE 41 CC-OS.	\$ 1,755.25
336612	P01194	PRC (Personnel Recovery Cutouts) on SAFE 41FC-OS.	\$ 2,215.44
336612	P05189	Pre-Delivery Inspection and Boat Trials (West Coast)	\$ 2,344.08

SIN	MFR PART NO	PRODUCT DESCRIPTION	GSA PRICE
336612	P02870	Provide & Install Ethernet Cable for L3 AIS to Integrate w/ Brainbox Router on SAFE 33 FC - Fire.	\$ 57.07
336612	P02669	Provide Axis Encoder for FLIR Image to Integrate w/ Brainbox Router on SAFE 33 FC - Fire.	\$ 616.61
336612	P02635	Raymarine AIS-5000 Enhanced Class A AIS Transponder w/ Shakespeare Skinny Mini 36" ^{mm} AIS VHF Antenna.	\$ 6,089.37
336612	P02873	Raymarine EV-300 Solenoid Autopilot for Solenoid Controlled Steering Systems.	\$ 3,427.16
336612	P02904	Raymarine GA150 External GPS Antenna & Global Navigation Satellite System (GNSS) Receiver.	\$ 236.71
336612	P02967	Raymarine i70s Multifunction Instrument Display.	\$ 733.57
336612	P03417	Raymarine Quantum 2 Q24D CHIRP Radar w/ Doppler Collision Avoidance & 10M Power & Data Cables.	\$ 2,200.18
336612	P03418	Raymarine RA1048D 4kW, 48" ^{mm} HD Digital Open Array Radar w/ 15M RayNet Cable.	\$ 4,698.88
336612	P03422	Raymarine RD424HD 24in 4kw HD Digital Radome Scanner.	\$ 2,726.78
336612	P03433	Raymarine RS150 External GPS Sensor E70310.	\$ 439.53
336612	P03437	Raymarine RV-320 RealVision 3D Plastic Through Hull Transducer Pack, 20 Degree.	\$ 1,988.04
336612	P03448	Raymarine SR200 SiriusXM Marine InfoLINK Weather Receiver & SRA-50 Antenna.	\$ 903.12
336612	P03462	Raymarine STNG Starter Kit.	\$ 203.53
336612	P03464	Raymarine T70412 12kW Magnum Radar w/ 4ft Array, 15m RayNet Cable & VCM100 Voltage Converter Module.	\$ 6,025.72
336612	P02011	Relocate Shore Power Inlet to Port Cabin Bulkhead on SAFE 41 FC-OS.	\$ 565.30
336612	P02951	Ritchie Helmsmen HB-741 (Bracket Mount) Compass w/ 3-3/4" ^{mm} CombiDamp Dial & Back Lighting, 12VDC.	\$ 427.15
336612	P05473	SAFE 25 Walk Around Cabin.	\$ 254,698.14
336612	P05476	SAFE 31 Walk Around Cabin.	\$ 329,418.24
336612	P05502	SAFE 33 Full Cabin - Fire Boat	\$ 466,500.00
336612	P00032	SAFE 3812 Full Cabin - 39'-2" ^{mm} (LOA) x 12' (BOA)	\$ 535,463.66
336612	P05500	SAFE 65 Full Cabin - Inboard	\$ 1,840,415.03
336612	P05323	SAFE Boats - Boat Owner's Reference Guide and Specifications. (BORGS)	\$ 7,969.87
336612	P05443	SBI 1 Hour Design Services	\$ 140.64
336612	P05444	SBI 1 Hour Installation Services	\$ 104.03
336612	P04675	SBI Cuddy Gun Locker, (5) Blac-Rac Tactical Weapons Mount on SAFE 41 FC-OS.	\$ 4,912.69
336612	P01094	Seat Storage Locker in Front of Console for WAC.	\$ 2,264.75
336612	P05408	Shipping Prep/Full Shrink Wrap	\$ 2,202.01
336612	P02940	Simrad GS25 External GPS Antenna w/ Built-In Rate Compass.	\$ 395.74
336612	P03404	Simrad NSS12 evo3S 12" ^{mm} Hybrid Touch MFD w/ Built-In Echosounder w/ 1kW CHIRP & C-MAP US Charts.	\$ 3,486.44
336612	P02597	Simrad Precision-9 Solid State Rate Compass (Heading Sensor).	\$ 766.57
336612	P05054	Task Force Tips Monsoon Series Bow Monitor on SAFE 33 FC - Fire. (Fire System Sold Separately)	\$ 9,302.59
336612	P06765	Task Force Tips Valve Under Monitor (VUM) 4" ANSI Inlet & Outlet, with (2) Gated Elbows, Pressure Relief Valve & External Drain.	\$ 5,755.54
336612	P01996	Tow Spool w/ 150' Line & Cover.	\$ 2,164.58
336612	P01998	Tow Spool w/ 300' Line, Hand Brake & Cover on SAFE 44 FC-I.	\$ 1,904.09
336612	P01997	Tow Spool w/ 300' Line, Hand Brake & Cover.	\$ 1,789.35
336612	P05822	Tow Spool w/ 600 Line, Hand Break & Cover SAFE 44 FC-I.	\$ 7,021.23
336612	P05297	Trailer, 11500 - Alum. 25'-27' WA/FC 2510 TT/CC	\$ 16,236.93
336612	P05306	Trailer, 15500 - 33' Hull, Galvanized.	\$ 28,378.13
336612	P05300	Trailer, 16000 - 29' Hulls, Aluminum	\$ 25,829.40
336612	P05273	Trailer, 16000 - 31' Hull, Aluminum.	\$ 25,962.86
336612	P05272	Trailer, 16000L - 33' Hull, Aluminium	\$ 26,557.61
336612	P05301	Trailer, 16000XL - 35' Hull, Aluminium	\$ 27,438.71
336612	P05305	Trailer, 21000 - 38' Hull, Aluminum.	\$ 39,829.81
336612	P05275	Trailer, 24,000 GVRW - 41 Stepped Hull, Aluminum, SS Disc Brakes	\$ 32,222.59
336612	P05284	Trailer, 7150 - 25' T-Tops/CC (8'6" ^{mm} Only), Galv.	\$ 12,602.38

SIN	MFR PART NO	PRODUCT DESCRIPTION	GSA PRICE
336612	P05289	Trailer, 7500 - 23' T-Tops/CC (8'6) Aluminum	\$ 11,727.75
336612	P05271	Trailer, 9000 - 25' - 27' FC (8'6" Wide), Aluminum	\$ 14,753.31
336612	P04588	Trim Tabs, Mercury K-Planes - 941 Series SAFE Boat.	\$ 9,750.51
336612	P04453	Triple Suzuki 350HP Outboard Rigging Kit w/ Optimus 360 Joystick Controls.	\$ 37,945.02
336612	P01399	Upgrade Cabin Insulation on SAFE 41 FC-OS.	\$ 1,156.87
336612	P01059	Upgrade SBI-1220 Flip-Up Seats (pr) w/ Suspension.	\$ 2,885.16
336612	P01898	Upgrade to Bolt-On, Fixed Position, Double Pipe Motor Guard / Tow Line Guide on SAFE 10 Wide.	\$ 1,158.52
336612	P00631	Upgrade to Custom Removable Tall Bow Hand Rail on SAFE 10 Wide.	\$ 1,073.66
336612	P02378	Upgrade to Dr LED ""Kevin X4"" 600+ Lumens LED Flood Lights on SAFE FC-I.	\$ 1,100.91
336612	P02375	Upgrade to Dr LED ""Kevin"" 600+ Lumens LED Flood Lights on SAFE SP-MT.	\$ 1,183.45
336612	P02372	Upgrade to Dr LED ""Kevin"" 600+ Lumens LED Flood Lights.	\$ 1,057.71
336612	P02309	Upgrade to Exalto CT3EX Wiper Controller.	\$ 1,673.24
336612	P04087	Upgrade to Fixed Windscreen with Wiper and Washer System on SAFE 35 Interceptor.	\$ 2,999.13
336612	P04170	Upgrade to Fritted Window Package on SAFE 41 EXT-WAC.	\$ 10,822.25
336612	P03658	Upgrade to Heated Front Windshields, 110VAC, on SAFE 33 FC - Fire - 835.	\$ 4,870.14
336612	P00058	Upgrade to Hydraulically Actuated Drop Bow, 12V, Single Cylinder.	\$ 13,767.08
336612	P01830	Upgrade to SeaDek 6mm Embossed Marine Deck Covering, w/ Angled to Centerline Pattern on SAFE 33 FC.	\$ 7,950.82
336612	P01403	Upgrade to SeaDek High Density 8mm Embossed w/ 1"" Pin line Pattern on a SAFE 41FC-OS	\$ 13,262.13
336612	P01811	Upgrade to SeaDek High Density Marine Deck Covering on SAFE 341EXWAC.	\$ 17,231.46
336612	P03926	Viking 6DK+ 6 Person Life Raft w/ Low Profile Container, Hydrostatic Release & Deck Cradle.	\$ 4,132.16
336612	P04739	Weapons Mount Foundations - Level 1 on SAFE 44FC-I.	\$ 1,833.88
336612	P03650	Webasto Air Top 55 18,750 BTU Forced Air Marine Heater w/ Surewire & SC1600B Digital Thermostat. (Diesel Tank Sold Separately)	\$ 5,722.41
336612	P03643	Webasto AT2000 Diesel Heater w/ 2.5 Gal Diesel Tank on SAFE 8'6" Wide Full Cabins.	\$ 5,767.45
336612	P02089	Westerbeke 5.0MCGA 5.0kW Low-CO 60Hz Gas Generator in Stbd Aft Locker on SAFE 10 Wide.	\$ 27,776.28
336612	P02088	Westerbeke 5.0MCGA Low-CO 60Hz Gas Generator in Aft Cabin Generator Locker on SAFE 10 Wide.	\$ 28,654.27
336612	P02096	Westerbeke 7.5MCGA Low-CO 60Hz Gas Generator in Stbd Aft Locker on 38 FC.	\$ 29,388.34
336612	P02095	Westerbeke 7.5MCGA Low-CO 60Hz Gas Generator in Stbd Aft Locker on SAFE 10 Wide.	\$ 29,325.99
336612	P02012	Westerbeke 7.6 EGTD, 60Hz, 7.6kW, Diesel Generator in Aft Locker on SAFE 41 FC-OS.	\$ 23,849.20
336612	P03505	Whelen F4MBBBBP Mini Edge Freedom IV Super-LED 22"" Lightbar, Blue.	\$ 1,948.87
336612	P03508	Whelen F4MRRAAP Mini Edge Freedom IV Super-LED 22"" Lightbar, Red/Amber.	\$ 1,741.92
336612	P03509	Whelen F4MRRRRP Mini Edge Freedom IV Super-LED 22"" Lightbar, Red.	\$ 1,958.83
336612	P03491	Whelen Liberty II WC Series 54"" LEDLightbar, Blue. FWC #SXBBFWC06.	\$ 4,478.76
336612	P03929	Winslow 6 Person Ultra Light Offshore Life Raft Installed on SAFE 35 Interceptor.	\$ 5,871.92
336612	P02306	Wire Label Package on SAFE FC/WAC.	\$ 5,574.50
336612	P02308	Wire Label Package on SAFE TT/CC.	\$ 5,518.84
336612	P02008	Relocate Generator Start/Stop Panel to Port Dash.	\$ 52.02
336612	P04750	Single UID Label.	\$ 63.61
336612	P05091	Provide (1) Set of Engraved Name Plates for FDNY.	\$ 100.44
336612	P05459	One hour of welding services available at SBI. Labor only.	\$ 103.76
336612	P02022	Add (1) 12VDC Accessory Outlet.	\$ 108.05
336612	P02628	RayNet to RayNet Cable 2 M, Raymarine	\$ 109.97
336612	P03460	5 Port Ethernet Switch, SW-005.	\$ 111.28
336612	P03461	Space Weight & Power Reservations for Customer to Install (1) Radio/Sat Phone w/ (1) Antenna After Delivery.	\$ 128.52
336612	P05076	8' Telescoping Boat Hook w/ Storage Mount.	\$ 132.19
336612	P02265	Swap Out (1) Optima Blue Top D27M Battery for (1) Odyssey Extreme Group 34 Battery.	\$ 154.98

SIN	MFR PART NO	PRODUCT DESCRIPTION	GSA PRICE
336612	P04573	Upgrade to Stainless Steel Steering Wheel.	\$ 170.06
336612	P02343	Upgrade to LED Red/White Dome Lights in Cabin & Fwd Pump Space on SAFE 33 FC - Fire.	\$ 189.75
336612	P02266	Swap Out (1) Optima Blue Top D34M Battery for (1) Odyssey Extreme Group 34 Battery.	\$ 209.61
336612	P00623	Add Transition Step Plate w/ Non-Skid Surface Between Reinforced Push Knees.	\$ 255.41
336612	P03483	Video Splitter, FLIR M-Series to Dual Furuno NavNet 3D Displays.	\$ 272.17
336612	P01831	Upgrade Console Top Skid to Seadek Covering on SAFE FC/WAC.	\$ 282.91
336612	P02326	Add Second ACR Remote Searchlight Point Pad.	\$ 285.85
336612	P01488	Collar Identification - Midships.	\$ 326.58
336612	P02918	Garmin GMS10 Network Port Expander.	\$ 341.91
336612	P00685	Add Glove Box to Dash on SAFE Boat.	\$ 346.01
336612	P03903	4 Tank Roll-Control Dive Tank Holders.	\$ 380.22
336612	P03482	Video Splitter, FLIR M-Series to Dual Garmin Displays.	\$ 399.34
336612	P02970	Furuno Interface Converter NMEA2000-NMEA0183.	\$ 404.40
336612	P01401	Install Customer Supplied Agency Logo Port & Stbd Sides of Cabin.	\$ 406.05
336612	P03844	Portable Head w/ Mount in Fwd Cuddy	\$ 408.24
336612	P02890	Add SBI Fabricated FLIR M300 Series Weld-On Riser Bracket to Cabin Top for Future Camera Install.	\$ 433.94
336612	P03589	ADD (2) AIR CIRCULATION FANS AFT IN MAIN CABIN ON SAFE 31 SP-MT.	\$ 439.06
336612	P03904	Add (6) Adjustable / Folding Dive Tank Holders to Aft Lockers on SAFE 10 Wide.	\$ 449.05
336612	P02025	Additional House Battery.	\$ 465.33
336612	P02563	STREAMLIGHT STINGER 12VDC RECHARGEABLE FLASHLIGHT W/ CHARGER & RED FLIP LENS.	\$ 482.30
336612	P02302	Upgrade Shore Power Kit w/ 50' 30amp Smart Plug Shore Power Cord & Inlet.	\$ 505.03
336612	P03532	30 Watt 119 Decibel LE Siren.	\$ 514.11
336612	P04735	Weapons Mount Foundation Certification.	\$ 518.79
336612	P02010	Upgrade from Single 34DM House Battery to (2) D27M Group 27 House Batteries.	\$ 538.18
336612	P02584	Add (2) TH Marine Surface Mounted Premium LED Underwater Lights, Blue.	\$ 546.50
336612	P00219	Replace Anchor Locker Access Hatch to Flush Hatch.	\$ 549.25
336612	P00161	Anchor Locker Flush Access Hatch for Sheer Decks on SAFE Boat.	\$ 549.52
336612	P01158	SAFE XDR-2 Collar System Upgrade.	\$ 554.45
336612	P02273	Relocate Shore Power Inlet to Port Aft Cabin Bulkhead on SAFE 35 FC.	\$ 565.30
336612	P01161	SAFE XDR-2 Collar System Upgrade.	\$ 575.10
336612	P02725	Install (1) Customer Supplied Motorola MW810 Mobile Digital Terminal w/ (1) LP800NMO Antenna.	\$ 578.33
336612	P02729	Install Customer Supplied Agency Radio & Antenna. Radio Make/Model TBD.	\$ 584.95
336612	P02924	Furuno GP330B GPS Antenna	\$ 595.06
336612	P02571	Red/White LED Interior Cabin Dome Lights on Custom SAFE 35 FC. (3) in Main Cabin & (1) in Fwd Cuddy.	\$ 605.87
336612	P01164	SAFE XDR-2 Collar System Upgrade.	\$ 606.48
336612	P03537	(2) Whelen L22 LED Law Enforcement Strokes, 12VDC, Blue.	\$ 615.22
336612	P02706	Install (1) Customer Supplied Motorola APX8500 Radio w/ (1) All-Band Antenna.	\$ 615.39
336612	P02668	Provide Axis Encoder for FLIR Image to Integrate w/ Cisco Router. (FLIR Camera & Cisco Router Sold Separately).	\$ 616.61
336612	P01170	SAFE XDR-2 Collar System Upgrade.	\$ 621.77
336612	P01167	SAFE XDR-2 Collar System Upgrade.	\$ 621.91
336612	P01988	Upgrade to Removable Forward Tow Post.	\$ 623.73
336612	P03870	Johnson Pump 2200GPH Heavy Duty Bilge Pump w/ Ultima Automatic Bilge Switch & 3-Way Control Panel.	\$ 637.84
336612	P03416	Furuno PSU17 Power Supply for DRS2D/DRS4D TZtouch Installations.	\$ 639.69
336612	P02027	Add (1) Additional House Battery, Odyssey 34M-PC1500 Extreme Group 34 Battery.	\$ 658.96
336612	P00206	Add Weld On Angle Brackets to Port & Stbd Ext. Aft Cabin to Accommodate Customer Installed Boat ID.	\$ 663.66
336612	P00205	Add Weld On Angle Brackets to Port & Stbd Ext. Aft Cabin to Accommodate Customer Installed Boat ID.	\$ 678.78

SIN	MFR PART NO	PRODUCT DESCRIPTION	GSA PRICE
336612	P02371	Custom Flood/Blue Light Switch Panel with (5) Toggle Switches.	\$ 688.91
336612	P02576	Golight Stryker 3067 500,000cp RC Searchlight.	\$ 697.85
336612	P03434	Raymarine RV-100 RealVision 3D Transom Mount Transducer.	\$ 701.45
336612	P02609	Garmin 9-Axis Heading Sensor.	\$ 707.56
336612	P01181	SAFE XDR-2 Collar System Upgrade.	\$ 712.02
336612	P01220	SAFE XDR-2 Collar System Upgrade.	\$ 719.10
336612	P01490	Roof Top Identification in Black Non-Skid Material.	\$ 722.98
336612	P04738	Weapons Mount Foundations - Level 1	\$ 734.75
336612	P06758	Add Custom SBI Fabricated Box w/ (1) 12VDC Dual Port USB Receptacle, (1) 110VAC Outlet & (1) Hella Chart Lights to Chart Table.	\$ 743.50
336612	P02614	Furuno 235DT-PSE Plastic Thru-Hull Depth/Temp.	\$ 757.30
336612	P00651	Add Custom Fabricated Storage Shelves to Forward Cuddy.	\$ 769.23
336612	P03916	Fireboy-Xintex G-2B Gasoline Fume Detector w/ (2) Gasoline Sensors.	\$ 771.13
336612	P02395	Lopo Light LED Navigation Lights Installed on Bow on SAFE 35 FC.	\$ 772.76
336612	P04082	(1) Xtreme Heaters 800W XXXHEAT Boat Bilge Heater Compartment Heater.	\$ 773.80
336612	P01185	SAFE XDR-2 Collar System Upgrade.	\$ 781.94
336612	P01190	SAFE XDR-2 Collar System Upgrade.	\$ 784.81
336612	P02397	(2) Whelen NP6BB (BLK) Nano 6 LED Pioneer Flood Lights on Top of Push Knees.	\$ 791.30
336612	P01276	XDR Collar Repair Kit, Thermal 120vac.	\$ 802.35
336612	P03421	Furuno RD33 4.3in Color LCD Nav Data Organizer	\$ 806.45
336612	P05059	Task Force Tips Y4E-DISP Monitor Position Display.	\$ 846.19
336612	P02871	Raymarine EV-1 Sensor Core. (Heading Sensor)	\$ 854.18
336612	P01277	XDR Collar Repair Kit, Thermal 230vac.	\$ 870.20
336612	P01175	Black Collar Rub-Strake on SAFE 3310 XDR Collar System.	\$ 872.07
336612	P05233	Offshore Safety Kit	\$ 899.47
336612	P02394	Interior & Exterior Dimmable LED Walkway/Deck Light Lighting Package on Custom SAFE 35 FC.	\$ 972.93
336612	P02965	Furuno HUB101 Dedicated Interswitch Hub	\$ 995.50
336612	P04747	Weapons Mount Foundations - Level 2	\$ 1,003.97
336612	P02971	Provide & Install (1) iPad 9 w/ Havis PKG-TAB-APP6 Docking Station & Protective Case.	\$ 1,033.82
336612	P05407	Shipping Prep / No Shrink Wrap	\$ 1,038.67
336612	P00158	ADD REMOVABLE SHELF TO AFT BIMINI TOP STRUCTURE ABOVE AFT LOCKERS ON SAFE 10 WIDE.	\$ 1,079.40
336612	P03412	Furuno PG700 NMEA2000 Rate Compensated Heading Sensor.	\$ 1,108.27
336612	P00059	Add Interior Below Deck Storage Hatch in Main Cabin on SAFE 33 FC-Fire.	\$ 1,127.76
336612	P02825	Standard Horizon Quantum GX6000 VHF w/ Shakespeare 5' VHF Antenna.	\$ 1,225.56
336612	P03893	Dive Light Mast (Red, White, Red)	\$ 1,232.97
336612	P03522	Qty 4 Whelen ION Series Brow Strobes - Blue	\$ 1,238.41
336612	P03526	Qty 4 Whelen ION Series Brow Strobes - White.	\$ 1,317.36
336612	P03897	Dive Ladder PRC Platform	\$ 1,362.09
336612	P03850	Raw Water Washdown System 3.5GPM.	\$ 1,362.16
336612	P02810	ICOM M510 VHF MARINE TRANSCEIVER W/ SHAKESPEARE 396-1 5' CLASSIC VHF MARINE BAND ANTENNA.	\$ 1,389.85
336612	P01995	Tow Light Mast	\$ 1,390.05
336612	P02887	FLIR JCU1 PoE Injector Kit for FLIR M300 Series Cameras.	\$ 1,408.27
336612	P01256	Add Additional Row of Full Collar Length Rub Strake to Port & Starboard Collars on SAFE 3812.	\$ 1,430.51
336612	P03636	Fresh Water Washdown System w/ 9 Gal Tank.	\$ 1,454.27
336612	P04741	Weapons Mount Foundations - Level 1 on SAFE 35 Interceptor.	\$ 1,469.52
336612	P03914	Add Decontamination Wash Down w/ 20Gal Fresh Water Tank & 40' Coil Hose on Aft Deck.	\$ 1,479.50
336612	P03651	Dial-A-Watt 1500W 120VAC SS Heater Kit.	\$ 1,510.60
336612	P03906	(1) Godwin GST Sub-Prime Electric Dewatering/Trash Pump w/ Discharge Hose.	\$ 1,554.02
336612	P02028	3-Bank Battery Charging System, 12VDC, w/ Shore Plug Receptacle.	\$ 1,564.76
336612	P02994	Fusion MS-RA60 Compact Marine Stereo w/ Bluetooth Audio Streaming, (4) Fusion Speakers & AM/FM Antenna.	\$ 1,571.76
336612	P01351	SAFE 8ft 6in Beam Boats Personnel Recovery Cutout	\$ 1,571.82

SIN	MFR PART NO	PRODUCT DESCRIPTION	GSA PRICE
336612	P01193	Severe Duty Padded Bow Cover, 1-Piece, on SAFE 41 CC-OS.	\$ 1,591.10
336612	P03450	Airmar SS175HW Wide-Beam CHIRP SS Thru Hull Transducer w/ Raymarine Adapter Cable.	\$ 1,592.17
336612	P02988	Fusion MS-BB100 Black Box Marine Stereo w/ IPX7 Wired Remote Control, (4) Fusion Speakers & AM/FM Antenna.	\$ 1,602.12
336612	P05314	2-Day Familiarization Training, at SBI.	\$ 1,640.86
336612	P02566	(2) Whelen PSL2BLK Dual Panel Slim Line Pioneer Flood Lights on Mid Cabin Top.	\$ 1,646.75
336612	P01493	Upgrade Cabin Insulation on SAFE 38 FC.	\$ 1,664.42
336612	P06918	Raymarine CAM210/AR200 Augmented Reality Pack.	\$ 1,684.91
336612	P02962	Whelen Loudhailer System. WPA112, WPA2, SA315.	\$ 1,692.35
336612	P03411	Furuno PG500R Rate Compensated Heading Sensor.	\$ 1,717.16
336612	P00165	Modify Standard Anchor Locker, Add Weld On Steps & Handrails on SAFE 35FC.	\$ 1,726.05
336612	P00168	Add Port & Stbd Bow Storage & Anchor Locker Aft of Drop Bow Ram Lockers on SAFE Boat.	\$ 1,734.66
336612	P00767	Add Custom SBI Fabricated Mid Work Console on SAFE FC.	\$ 1,738.37
336612	P02061	Electroguard 125A Cathodic Protection Monitoring Station.	\$ 1,798.36
336612	P02062	Install (1) Electroguard 125A Cathodic Protection Monitoring Station on SAFE 33 FC - Fire.	\$ 1,798.36
336612	P01537	Black Rubberized Non-Slip Coating on SAFE 10' Wide - Full Cabin Console & Dash.	\$ 1,813.79
336612	P04068	Aft Deck Sun Cover, Grey, on SAFE Full Cabin.	\$ 1,820.89
336612	P00605	Add Overhead Hatch on Rooftop, Stbd Side above Helm Seat Position.	\$ 1,847.71
336612	P02319	(6) Rigid Industries SR-Q Series Pro Flood LED Flood Lights. (1) Port, (1) Stbd, (2) Fwd & (2) Aft.	\$ 1,879.76
336612	P01259	Bow Cover 1 Piece, 12' Wide.	\$ 1,944.88
336612	P02889	FLIR JCU2 PoE Injector Kit for FLIR M300 Series Cameras.	\$ 2,041.77
336612	P02963	Whelen Loudhailer System. WPA112, WPA3, SA315.	\$ 2,052.31
336612	P00764	Add Custom SBI Fabricated Cabinet w/ Work Top in Aft Cabin on SAFE FC.	\$ 2,071.31
336612	P00750	Upgrade Bolster w/Aft Facing Seat/Storage Box.	\$ 2,089.29
336612	P01345	SAFE 10ft Beam Boats Personnel Recovery Cutout	\$ 2,215.44
336612	P01093	Seat Storage Locker in Front of Console. (CC/TT)	\$ 2,241.46
336612	P00237	Replace Forward Cockpit w/ Sheer Deck.	\$ 2,303.86
336612	P02396	(8) Whelen NP3BB (BLK) Pioneer Nano 3 LED Flood Lights on Cabin Top.	\$ 2,338.40
336612	P03623	Enclosed Portable Head.	\$ 2,388.80
336612	P04081	Cold Weather Compartment Heater for Fire Pump Space on SAFE 33 FC - Fire - 835.	\$ 2,412.64
336612	P00221	Upgrade to Stacked Forward Bow Storage/Anchor Lockers with Topside Access on SAFE 10' Wide.	\$ 2,420.68
336612	P04910	Sonihull Mono / SH-1 Ultrasonic Antifouling Protection System	\$ 2,693.89
336612	P03653	Dual Dial-A-Watt 1500W, 240VAC, SS Heater Kit on SAFE 44FC-I.	\$ 2,751.37
336612	P03652	Dual Dial-A-Watt 1500W, 120VAC SS Heater Kit on SAFE 44 FC-I.	\$ 2,919.13
336612	P00172	Custom Interior Cabin Seating Arrangement on SAFE 38 FC.	\$ 2,975.19
336612	P05313	2-DAY FAMILIARIZATION TRAINING, AT CUSTOMER LOCATION. CONUS,AK,HI	\$ 3,281.71
336612	P05316	5-DAY TRAINING MODULES, AT SBI.	\$ 3,281.71
336612	P03666	Mini Refrigerator & Microwave, 60Hz, Installed in Cuddy on SAFE FC.	\$ 3,317.51
336612	P02587	Add Whelen Carbide APM Control Module System on a SAFE FC.	\$ 3,439.63
336612	P04593	Zipwake Dynamic Trim Control System w/ Fast-Acting Interceptors, Fully Automatic.	\$ 3,449.06
336612	P01556	Apply Heat Reflective Paint to Exterior Cabin Top on SAFE 33 FC.	\$ 3,504.85
336612	P02388	Upgrade to FRC Spectra MS R-14 LED Spot/Flood Lights on SAFE 835 FC - FIRE.	\$ 3,640.20
336612	P00615	Reinforced Push Knees	\$ 3,726.78
336612	P02291	110VAC Shore Power Kit - 4 Battery System w/ Pronautic	\$ 3,888.34
336612	P01825	Upgrade to SeaDek High Density 8mm Marine Deck Covering Cabin Interior on SAFE 3812FC.	\$ 4,000.58
336612	P02611	Furuno 165T-50/200-SS260 Stainless Steel Through Hull Combo Transducer for DFF3D.	\$ 4,199.31
336612	P04581	ADD Lenco MARINE TRIM TAB KIT ON SAFE 31 SP-MT.	\$ 4,465.31
336612	P02572	Add Whelen Pioneer (3) S30MBW Summit Series Light on a SAFE 35FC.	\$ 4,553.47
336612	P04971	Add Moisture Eliminators for Engine Room on SAFE 3812 FC.	\$ 4,556.31

SIN	MFR PART NO	PRODUCT DESCRIPTION	GSA PRICE
336612	P05320	As-Built Plumbing Drawings for SAFE 33 FC - Fire.	\$ 4,688.16
336612	P00150	PORT Stokes Litter Seat Bench W/Cushion & Backrest on SAFE FC.	\$ 5,312.24
336612	P06014	ACR RCL-300A Search Light w/ Remote Point Pad.	\$ 5,840.01
336612	P03644	Webasto AT2000 Diesel Heater w/ 2.5 Gal Tank on SAFE WAC.	\$ 5,867.07
336612	P03928	Winslow 6 Person Ultra Light Offshore Life Raft with White Pelican Case & Cradle.	\$ 5,871.92
336612	P03642	Webasto AT2000 Diesel Heater w/ 2.5 Gal Tank on SAFE CC/TT.	\$ 6,018.82
336612	P03647	Webasto AT40 Diesel Heater w/ 2.5 gal Tank.	\$ 6,026.77
336612	P05315	5-DAY TRAINING MODULES, AT CUSTOMER LOCATION. CONUS,AK,HI	\$ 6,094.61
336612	P03648	Webasto AT40 Diesel Heater w/ 5 gal Tank.	\$ 6,164.16
336612	P02862	Furuno DRS6AX 6kW UHD Digital Radar for TZtouch & TZTouch2 w/ 3.5' Open Array & 12/24V DC Converter.	\$ 6,227.31
336612	P03543	(1) Laurus Systems Mini Rad-V G2 Radiation Detector Mounted on Exterior Cabin Top.	\$ 6,274.04
336612	P01398	Sandblast All Exterior Walking Surfaces In Lieu of Non-Skid on SAFE 3812 FC.	\$ 6,432.41
336612	P02390	Add (5) FRC Spectra MS R-14 LED Spot/Flood Lights, (2) Fwd, (1) P, (1) S, (1) Aft.	\$ 6,788.43
336612	P03604	Webasto FCF Air Conditioner 16,000 BTU.	\$ 7,102.26
336612	P04749	Add Bow Thruster on SAFE 41 FC.	\$ 8,448.06
336612	P02573	Add Whelen Pioneer (2) S86MBW Summit Series Light on a SAFE 35FC.	\$ 8,546.77
336612	P02891	FLIR M332 Single Payload Stabilized 320 Thermal 24 Deg FoV Camera w/o JCU.	\$ 8,983.07
336612	P05053	Task Force Tips Monsoon Series Bow Monitor on SAFE 3812FC. (Fire System Sold Separately)	\$ 9,302.59
336612	P03624	Custom Marine Grade Flushing Head in Cuddy on SAFE 35 FC.	\$ 9,572.14
336612	P03625	Custom Marine Grade Flushing Head in Cuddy on SAFE 3812 FC.	\$ 9,945.12
336612	P01129	Add SHOXS TRAXS System to Aft Deck on SAFE 35 Interceptor.	\$ 10,343.71
336612	P04417	Honda Twin Engine Rigging. Analog Gauges	\$ 10,830.58
336612	P04228	Honda Twin Engine Rigging-Digital Gauges	\$ 11,340.90
336612	P01824	Upgrade to SeaDek High Density 8mm Marine Deck Covering Exterior on SAFE 3812FC.	\$ 11,967.11
336612	P05279	Trailer, 7150 - 21 - 23 Hulls, Galvanized	\$ 12,382.10
336612	P03597	Cruisair 27,000 BTU, 220VAC 60Hz A/C	\$ 14,415.41
336612	P02892	FLIR M364 Single Payload Stabilized 640 Thermal 24 Deg FoV Camera w/o JCU.	\$ 14,851.21
336612	P04169	Step Marine De-Icing System Installed Below Aft Deck on SAFE 3812 FC.	\$ 14,853.81
336612	P05290	Trailer, 11500 - 2510- 2710 WA, FC. 2510 TT, CC	\$ 15,530.75
336612	P03582	Dual Cruisair 16,000 BTU Air Conditioners, 115VAC, 60Hz, w/ Pump.	\$ 16,606.61
336612	P02100	Northern Lights M673L3 6kW 60Hz Diesel Generator Below Deck Install.	\$ 18,814.10
336612	P02893	FLIR M364C Dual Payload Stabilized 640 Thermal 24 Deg FoV & HD Color Low-Light Camera w/o JCU.	\$ 23,001.38
336612	P02070	Mase IS7.1, 60Hz, 7.1kW Diesel Generator in Stbd Aft Locker w/ 23Gal Tank on SAFE 33 FC - Fire.	\$ 23,967.16
336612	P05295	Boatmaster Trailer, Aluminum 18,000lb GVW (15,000lb Net Cap), for SAFE 33 FC.	\$ 26,246.57
336612	P04084	Deck Hatch Package on SAFE 3812 FC.	\$ 27,818.74
336612	P04441	Dual Suzuki Outboard Rigging Kit w/ Optimus 360 Joystick Controls.	\$ 30,836.88
336612	P02091	WESTERBEKE 6.2MCGA 6.2KW LOW-CO 50HZ GAS GENERATOR IN AFT CABIN GENERATOR LOCKER ON SAFE 10 WIDE.	\$ 31,038.52
336612	P05307	Boatmaster Trailer, Aluminum, 18,000lb GVW (15,000lb Net Cap), for SAFE 35 Interceptor.	\$ 32,791.36
336612	P02071	Mase VS 15.6 DV - 50/60 Hz - Variable Speed Diesel Generator w/ 18 Gal Tank.	\$ 34,737.51
336612	P05296	Aluminum Bunk Trailer 32,000lbs.	\$ 42,172.70
336612	P03510	Thermo Scientific FHT 1377 GN-2 PackEye Radiation Detection Backpack, PDA and Case.	\$ 58,943.25
336612	P04912	Install Seakeeper 3 on SAFE 35 Interceptor.	\$ 59,838.26
336612	P04914	Install Seakeeper 5 on SAFE 41 INT.	\$ 77,154.84
336612	P04949	Aft Locker Darley HGE 37V Fire Pump w/ Electric Prime, Manual Monitor & Handline Port w/ Manual Valve.	\$ 101,336.56
336612	P05462	SAFE 23 Center Console	\$ 164,359.61
336612	P05464	SAFE 25 Center Console	\$ 197,635.26

SIN	MFR PART NO	PRODUCT DESCRIPTION	GSA PRICE
336612	P05466	SAFE 27 Center Console	\$ 242,651.22
336612	P05480	SAFE 25 Full Cabin	\$ 256,117.95
336612	P05467	SAFE 29 Center Console	\$ 264,526.53
336612	P05474	SAFE 27 Walk Around Cabin	\$ 297,891.22
336612	P05482	SAFE 27 Full Cabin	\$ 302,144.55
336612	P05470	SAFE 35 Center Console	\$ 314,241.72
336612	P05475	SAFE 29 Walk Around Cabin	\$ 315,366.76
336612	P05483	SAFE 29 Full Cabin	\$ 333,334.24
336612	P05477	SAFE 33 Walk Around Cabin	\$ 358,570.99
336612	P05484	SAFE 31 Full Cabin	\$ 361,340.37
336612	P05485	SAFE 33 Full Cabin	\$ 405,089.82
336612	P05489	SAFE 38 Full Cabin	\$ 433,463.35
336612	P05504	SAFE 35 Interceptor	\$ 460,923.06
336612	P05494	SAFE 31 Special Purpose - Medical Transport	\$ 462,907.68
336612	P05506	SAFE 41 Center Console - Offshore	\$ 527,656.23
336612	P05498	SAFE 44 Full Cabin - Inboard	\$ 855,340.90
336612	P05478	SAFE 41 Extended Walk Around Cabin (CU) - Offshore	\$ 522,858.32
336612	P05486	Custom SAFE 33 Full Cabin - 35'-8" (LOA) x 10'-4" (BOA)	\$ 416,640.39
336612	P00031	SAFE 27 Walk Around Cabin Tow Boat - 29'-4" (LOA) x 10' (BOA)	\$ 250,725.41
336612	P05481	SAFE 27ft x 8ft 6in Full Cabin Boat	\$ 257,841.68
336612	P05495	SAFE 33 Special Purpose - Medical Transport	\$ 469,429.46
336612	P05497	SAFE 36 Full Cabin - Inboard	\$ 681,200.66
336612	P05499	SAFE 45' X 12' Full Cabin - Inboard	\$ 930,408.92
336612	P05501	SAFE 39 Center Console Inboard Boat	\$ 629,369.74
336612	P05520	SAFE 25 Center Console - 10 Wide.	\$ 230,297.23
336612	P05524	SAFE 25 Full Cabin - 10 Wide	\$ 281,260.75
336612	P07018	SAFE 35 Walk Around Cabin	\$ 362,487.43
336612	P07219	SAFE 31 Center Console	\$ 280,990.47
336612	P01278	Upgrade to Manual Drop Bow.	\$ 6,632.17
336612	P00207	Modify Forward Lockers w/ Manual Drop Bow Option to Accommodate Bow Monitor.	\$ 2,231.83
336612	P00215	Extend T-Top Roof to Accommodate Second Row Seating & Mid Bolster on SAFE CC/TT.	\$ 10,134.20
336612	P00217	Extend WAC with Cuddy to Accommodate Second Row Seating w/ Side Sliding Doors on SAFE WAC.	\$ 18,339.72
336612	P00218	Extend WAC with Snub Nose to Accommodate Second Row Seating w/ Side Sliding Doors on SAFE WAC.	\$ 13,325.48
336612	P00232	Upgrade to Heated Front Windshields, 110VAC, on SAFE 10W FC.	\$ 4,084.25
336612	P00618	Add Push Knees on SAFE 645.	\$ 2,830.32
336612	P00658	Add Forward Cuddy Cabin Option on SAFE WAC.	\$ 10,419.11
336612	P06898	Fritted Window Package on SAFE Small FC.	\$ 2,570.01
336612	P06899	Fritted Window Package on SAFE Medium FC.	\$ 3,466.28
336612	P06900	Fritted Window Package on SAFE Large FC.	\$ 4,621.70
336612	P07161	Fritted Window Package on SAFE WAC.	\$ 4,114.15
336612	P07193	Heated Front Windshields on SAFE FC/WAC. (for Fritted Window Package)	\$ 5,883.78
336612	P07194	Fritted Window Package on SAFE EXWAC.	\$ 5,399.15
336612	P06787	Allsalt Adjustable Footrest w/ 20" Tread, 6" Height Adjustment, 0 Deg Incline Mounted	\$ 1,431.16
336612	P06799	Allsalt 2000 Suspension Seat, Fore/Aft/Height Adjust, Lapbelt, Black Upholstery.	\$ 6,578.92
336612	P06800	Allsalt 4600 Suspension Seat, Fore/Aft/Height Adjust, Lapbelt, Black Upholstery.	\$ 11,211.19
336612	P06801	Allsalt 4600 Suspension Seat, Fore/Aft/Height Adjust, Tall Backrest, & 4-Point Harness.	\$ 12,378.66
336612	P06802	Allsalt 6300 Suspension Seat, Height Adjust, Armrests, Hand Grips, Black Upholstery.	\$ 7,410.78
336612	P06803	Allsalt 6300 Suspension Wide Seat, Height Adjust, 2" Wider Armrests, Black Upholstery.	\$ 7,410.78
336612	P06804	Allsalt 4800 Suspension Seat, Fore/Aft/Height Adjust, Lapbelt, Black Upholstery.	\$ 15,518.24

SIN	MFR PART NO	PRODUCT DESCRIPTION	GSA PRICE
336612	P06805	Allsalt 4800 Suspension Seat, Fore/Aft/Height Adjust, Tall Backrest, & 4-Point Harness, Black Upholstery.	\$ 17,064.05
336612	P06840	Allsalt 3200 Bucket Seat W/X4 Shock Mitigating Pedestal, Black Upholstery.	\$ 4,365.79
336612	P06841	Allsalt 3200 Bucket Seat W/X4 Shock Mitigating Pedestal, Fore/Aft/Height Adjust, Swivel W/360 Rotation, Black Upholstery.	\$ 6,301.63
336612	P06842	Allsalt 3200 Bucket Seat W/X8 Shock Mitigating Pedestal, Black Upholstery.	\$ 4,711.76
336612	P06843	Allsalt 3200 Bucket Seat W/X8 Shock Mitigating Pedestal, Fore/Aft/Height Adjust, Swivel W/360 Rotation, Footrest, Black Upholste	\$ 8,015.90
336612	P06978	Allsalt Jockey-Style 5005 Seat, Fwd Grab Handles, Storage Bag, Black Upholstery.	\$ 5,626.55
336612	P06979	Allsalt Jockey-Style 5005 Seat, Fore/Aft/Height Adjust, Storage Bag, Grab Handle, Black Upholstery.	\$ 7,282.51
336612	P06980	Allsalt Jockey-Style 5005 Seat & Aft Jockey-Style 5105 Fold-Up Seat, Black Upholstery.	\$ 9,998.38
336612	P06981	Allsalt Jockey-Style 5005 Seat & Aft Jockey-Style 5105 Fold-Up Seat, Fore/Aft/Height Adjust, Black Upholstery.	\$ 12,957.85
336612	P06982	Allsalt Jockey-Style 5005 Seat & Aft Jockey-Style 5050 Fixed Seat, Black Upholstery.	\$ 9,960.81
336612	P06983	Allsalt Forward Jockey-Style Fold-Down 5605 Seat and Aft Jockey-Style 5705 Fold-Down Seat, Black Upholstery.	\$ 13,390.63
336612	P06984	Allsalt 6100 Seat Bucket With 8" Suspension Travel, Armrests, Hand Grips, Black Upholstery.	\$ 6,222.59
336612	P06985	Allsalt 8180 jump seat with 8" suspension travel.	\$ 6,077.47
336612	P06986	Allsalt 8100 jump seat.	\$ 2,012.73
336612	P06987	Allsalt Mid Back Extension on 2000 Series	\$ 555.02
336612	P07192	Add (2) SHOXS TRAXS 120" Extrusion. (Weld)	\$ 2,592.97
336612	P01261	Bow Cover 3 Piece, 8'6" Wide w/ Drop Bow.	\$ 3,576.74
336612	P01262	Bow Cover 3 Piece, 10' Wide w/ Drop Bow.	\$ 3,626.07
336612	P01266	Severe Duty Padded Bow Cover, 1-Piece, on SAFE 41 CC-OS.	\$ 1,591.10
336612	P01491	Install (1) Customer Supplied Agency Logo/Shield Decal.	\$ 101.51
336612	P01541	Gray Rubberized Dash Skid	\$ 1,015.11
336612	P02066	Kohler 6KW 6EKOD 60Hz Diesel Generator w/ 10 Gal Diesel Tank on SAFE 10 Wide.	\$ 28,905.31
336612	P02069	Mase 157.1kW 60Hz Diesel Gen in Modified Cabin Gen Locker w/ 18Gal Tank on SAFE 33 FC - Fire - 835.	\$ 25,629.17
336612	P02074	Northern Lights 6kW 60Hz Diesel Generator w/ 10 Gal Diesel Tank in Aft Lockers on SAFE 10 Wide.	\$ 21,591.68
336612	P02092	Westerbeke 6.2MCGA 6.2kW Low-CO 50Hz Gas Generator in Stdb Aft Locker on SAFE 10 Wide.	\$ 29,325.99
336612	P02094	Westerbeke 7.5MCGA Low-CO 60Hz Gas Generator in Aft Cabin Generator Locker on SAFE 10 Wide.	\$ 31,038.52
336612	P06754	110VAC Shore Power Kit w/ (3) Port & (3) Stbd Smart Plug Inlets & 7 Batt. Sys. on SAFE 3812 FC.	\$ 10,638.92
336612	P07062	Westerbeke 9.5MCGA Low-CO 60Hz Gas Generator Installed Below Aft Deck on SAFE 3812	\$ 26,395.62
336612	P07079	110VAC Shore Power Kit w/ Generator - 5 Battery System W/ ProNauticP	\$ 7,050.92
336612	P07244	Westerbeke 7.5MCGA Low-CO 60Hz Gas Generator in Aft Cabin Generator Locker on 38 FC.	\$ 31,260.71
336612	P02387	Upgrade to (4) DuraBrite Mini Series LED Flood Lights, 12/24VDC.	\$ 4,052.25
336612	P02564	(2) Pioneer Nano NP Series LED Flood Lights Mounted on Top of Push Knees.	\$ 843.62
336612	P02583	Add (2) TH Marine Surface Mounted Premium LED Underwater Lights, White.	\$ 417.97
336612	P06771	Add (1) Dr. LED "Kevin" Flood Lights.	\$ 293.16
336612	P07259	ACR RCL-300A Search Light w/ Remote Point Pad	\$ 5,893.63
336612	P07261	Add (1) FRC Spectra MS R-14 LED Spot/Flood Light.	\$ 1,633.84
336612	P02590	Simrad Ethernet Cable, Yellow, 5 Pin, 1.8 m (6 ft).	\$ 132.46
336612	P02591	Simrad N2KEXT-6RD - 1.82 m (6-ft) NMEA 2000 Cable for Backbone Extension or Drop Cable.	\$ 141.93
336612	P02592	Simrad NMEA 2000 Micro-C Network Starter Kit.	\$ 170.38

SIN	MFR PART NO	PRODUCT DESCRIPTION	GSA PRICE
336612	P02599	Simrad 3-IN-1 Transom Mount Transducer w/ Active Imaging Scanning & Med/High CHIRP Sonar Element.	\$ 527.58
336612	P02606	Garmin GC200 Marine IP Camera.	\$ 670.63
336612	P02612	Furuno 165T-50/200-TM260 DFF3D 50/200 Combo Transom Mount Transducer.	\$ 3,270.35
336612	P02629	Raymarine RayMic 2nd Station Kit for Ray60/Ray70 VHF Radios.	\$ 336.21
336612	P02636	Raymarine AIS700 Class B AIS Transceiver with Built-In VHF Antenna Splitter.	\$ 1,249.99
336612	P02641	Garmin AIS 800 Black Box AIS Transceiver w/ VHF Interconnect Cable.	\$ 1,246.89
336612	P02642	Raymarine AIS650 - Class B Transceiver	\$ 1,420.50
336612	P02647	Precision Mounts Slide Mount for Laptop Docking Station.	\$ 808.92
336612	P02653	Shakespeare 396-1-AIS Classic AIS Antenna w/ SS Ratchet Mount.	\$ 444.12
336612	P02654	Shakespeare 5396-AIS Galaxy Little Giant AIS/VHF Antenna w/ SS Ratchet Mount.	\$ 444.12
336612	P02655	Shakespeare 5ft VHF Antenna w/ SS Ratchet Mount.	\$ 371.38
336612	P02657	Shakespeare Galaxy 5226-XT (Black) 8ft VHF Marine Band 6dB Antenna w/ SS Ratchet Mount.	\$ 418.36
336612	P02659	Shakespeare Galaxy US-3849 3.5ft UHF 380-490MHz Antenna w/ SS Ratchet Mount.	\$ 482.16
336612	P02678	Furuno BBDS1 Digital (FDF) Fish Finder Module w/ Bottom Discrimination for NavNet 3D & TZTouch.	\$ 1,067.14
336612	P02682	Raymarine CAM210 Bullet CCTV Day and Night Network IP Marine Camera.	\$ 1,016.43
336612	P02806	Garmin VHF 215 AIS Marine Radio w/ Shakespeare 5' VHF Antenna.	\$ 1,256.98
336612	P02818	Raymarine Ray73 Multifunction VHF Radio System, w/ AIS, Loudhailer, Hailer Horn & VHF Antenna.	\$ 1,877.76
336612	P02847	David Clark 9100 Wireless Digital Intercom Sys, 6 Pos/3 Radio, 6 Wired/6 Wireless Stations.	\$ 24,582.66
336612	P02854	Furuno DRS12AX 12kW UHD Digital Radar for TZtouch/TZTouch2 w/ 3.5' Open Array & 12/24VDC Converter.	\$ 6,647.90
336612	P02855	Furuno DRS12AX 12kW UHD Digital Radar for TZtouch/TZTouch2 w/ 3.5' Open Array	\$ 6,297.02
336612	P02857	Furuno DRS25AX 25kW UHD Digital Radar for TZtouch/TZTouch2 w/ 3.5' Open Array & 12/24VDC Converter.	\$ 7,966.19
336612	P02858	Furuno DRS25AX 25kW UHD Digital Radar for TZtouch/TZTouch2 w/ 3.5' Open Array.	\$ 7,615.30
336612	P02859	Furuno DRS4DL+ 4kW, 36NM, 19" UHD Radome Radar Sensor for NavNet TZtouch & TZtouch2.	\$ 2,270.62
336612	P02861	Furuno DRS6ANXT 25W, Solid State Doppler Radar w/ Target Analyzer, Fast Tracking & 4' Open Array.	\$ 6,903.42
336612	P02863	Furuno DRS6AX 6kW, 96nm, UHD Digital Radar for TZtouch & TZTouch2 w/ 3.5' Open Array.	\$ 5,892.75
336612	P02877	Furuno FA170 Class A AIS Transponder w/ 4.3" Color LCD Display.	\$ 4,758.69
336612	P02879	Furuno FA40 Black Box AIS Receiver.	\$ 961.02
336612	P02880	Furuno FA70 Black Box Class B AIS Transponder w/ Shakespeare Skinny Mini 36" AIS VHF Antenna.	\$ 1,630.77
336612	P02895	FLIR M400 Multi-Sensor Thermal Camera System.	\$ 74,192.94
336612	P02900	FLIR MD625 Compact Fixed View Marine Thermal Camera	\$ 9,213.69
336612	P02901	FLIR Ocean Scout 640, NTSC, 9Hz Handheld Thermal Imager w/ Hard Storage Case.	\$ 2,482.96
336612	P02910	Garmin GMR18xHD 18", 4kW, 48NM Radar Dome.	\$ 2,047.82
336612	P02912	Garmin GMR 424 xHD2 4kW, 4' Open Array Radar and Pedestal.	\$ 4,007.93
336612	P02917	Garmin GMR Fantom 54 - 50W 4' Open Array Radar w/ Pedestal.	\$ 6,088.89
336612	P02923	Furuno GP33 DGPS/WAAS Display w/ GPA017 Antenna	\$ 1,038.97
336612	P02926	Garmin GPS 24xd NMEA 2000 Position Receiver & Antenna w/ Multi-Band GNSS & Heading.	\$ 433.58
336612	P02932	Garmin GPSMAP 8610 10" Touch HD Chartplotter w/ Preloaded HD Maps.	\$ 2,596.13
336612	P02941	Garmin GSD 24 Digital Network Sounder.	\$ 813.44
336612	P02946	Garmin GT51M-TM Transom Mount CHIRP DownVu/SideVu Transducers on SAFE 10'+ Wide Boats.	\$ 1,634.86

SIN	MFR PART NO	PRODUCT DESCRIPTION	GSA PRICE
336612	P02947	Garmin GT51M-TM Transom Mount CHIRP DownVu/SideVu Transducer on SAFE 8'6" Wide Boats.	\$ 775.45
336612	P02950	Simrad Halo-3 Pulse Compression Radar w/ RI-12 Interface Modul.	\$ 6,110.60
336612	P02957	Humminbird HELIX 12 CHIRP MEGA SI+ GPS G4N Multifunction Display w/ Basemap Charts.	\$ 3,030.19
336612	P03449	Garmin 010-11869-20 - Airmar SS164 (0 Deg Tilt) Flush Mounted SS 1kW Thru Hull Transducer.	\$ 1,303.72
336612	P07060	Raymarine CAM300/AR200 Augmented Reality Pack.	\$ 1,601.61
336612	P07068	Raymarine CAM300 Eyeball CCTV Day and Night Video Marine Camera.	\$ 825.70
336612	P07196	SS60 20Deg SS 600W Thru-Hull Transducer	\$ 499.87
336612	P07197	SS60 0 Degree SS 600W Thru-Hull Transducer	\$ 499.87
336612	P03506	Whelen F4MBRRP Mini Edge Freedom IV Super-LED 22" Lightbar, Blue/Red.	\$ 1,731.23
336612	P03523	Qty 4 Whelen ION Series Brow Strokes - (2) Blue / (2) Red	\$ 1,306.68
336612	P03524	Qty 4 Whelen ION Series Brow Strokes - Red	\$ 1,302.23
336612	P03533	(2) Whelen L31 Low Profile LED Law Enforcement Strokes, Blue.	\$ 1,143.05
336612	P03541	(2) Whelen L22 LED Law Enforcement Strokes, 12VDC, Red.	\$ 630.60
336612	P03886	Dual SBI Fabricated Articulating Dive Ladders Integrated to Aft Bimini Pipe Support on SAFE 10W.	\$ 3,011.08
336612	P03900	2 Tank Roll-Control Dive Tank Holders.	\$ 285.70
336612	P04067	Add Custom Aft Deck Aluminum Pipe Structure w/ Lace On Bimini Top on SAFE SP-MT.	\$ 7,557.47
336612	P04071	Custom Canvas Enclosure for Extended T-Top on SAFE TT.	\$ 6,087.84
336612	P06795	Add Custom Aft Deck Aluminum Pipe Structure w/ Lace On Bimini Top Sun Shade on SAFE TT.	\$ 8,200.77
336612	P06796	Add Custom Aft Deck Aluminum Pipe Structure w/ Lace On Bimini Top on SAFE WAC.	\$ 7,889.49
336612	P06798	Add Custom Aft Deck Aluminum Pipe Structure w/ Lace On Bimini Top on SAFE FC.	\$ 7,681.97
336612	P06823	Canvas Enclosure for T-Top (SAFE)	\$ 3,524.79
336612	P07277	Honda iST 150	\$ 15,296.26
336612	P07280	Honda iST 200	\$ 19,026.70
336612	P07282	Mercury SeaPro Command Thrust 115	\$ 10,992.60
336612	P07284	Honda iST 225	\$ 21,342.20
336612	P07286	Mercury SeaPro 150	\$ 14,058.33
336612	P07288	Mercury SeaPro 200 CMS	\$ 18,659.51
336612	P07292	Mercury SeaPro 225 CMS	\$ 21,257.10
336612	P07293	Mercury SeaPro 250 CMS	\$ 23,412.41
336612	P07296	Mercury Verado 250	\$ 24,149.68
336612	P07298	Yamaha 150 DES	\$ 18,738.65
336612	P07302	Mercury Verado 300	\$ 25,977.97
336612	P07304	Mercury SeaPro 300 AMS	\$ 25,834.15
336612	P07306	Mercury Verado 350	\$ 30,931.91
336612	P07308	Mercury SeaPro 350	\$ 31,365.97
336612	P07310	Mercury Verado 400	\$ 34,670.12
336612	P07313	Suzuki 300B SPC Contra-Rotating	\$ 30,677.15
336612	P07314	Yamaha XTO Offshore 450	\$ 46,132.62
336612	P07317	Suzuki 300 SPC	\$ 27,443.12
336612	P07318	Yamaha 300 DES	\$ 31,134.08
336612	P07320	Suzuki 250 SPC	\$ 26,036.46
336612	P07322	Yamaha 250 DES	\$ 30,704.12
336612	P07324	Mercury Verado 600	\$ 68,643.58
336612	P07326	Yamaha 200 DES	\$ 22,877.24
336612	P07328	Suzuki 200 SPC	\$ 20,197.49
336612	P07330	Suzuki 350 SPC Contra-Rotating	\$ 32,650.31
336612	P07332	Suzuki 150 SPC	\$ 16,868.91
336612	P07334	Suzuki 115 SPC	\$ 12,714.17
336612	P04442	Dual Suzuki 300HP Outboard Rigging w/ Power Assit Hydraulic Steering & Electronic Controls.	\$ 16,383.64

SIN	MFR PART NO	PRODUCT DESCRIPTION	GSA PRICE
336612	P04444	Dual Suzuki 350HP Outboard Rigging w/ Power Assist Hydraulic Steering & Electronic Controls.	\$ 16,628.25
336612	P04454	Triple Suzuki 350HP Outboard Rigging w/ Power Assist Hydraulic Steering & Electronic Controls.	\$ 22,253.02
336612	P04465	Dual Mercury Verado V12 Joystick Piloting Outboard Rigging Kit.	\$ 23,136.73
336612	P04582	Add Lenco Marine Trim Tab Kit on SAFE TT-CC.	\$ 4,145.34
336612	P06825	Mercury Engine Rigging, Quad, V10, with JPO	\$ 53,956.81
336612	P06831	Mercury Engine Rigging for Twin,V10's, DTS with E-Steer and JPO	\$ 36,568.77
336612	P06832	Mercury Engine Rigging for Twin,V10's, DTS with Hydraulic Power Assist Steering	\$ 20,805.30
336612	P06833	Mercury Engine Rigging for Twin,V10's, DTS with E-Steer	\$ 31,265.98
336612	P06834	Mercury Engine Rigging for Triple, V10's, DTS with Hydraulic Power Assist Steering	\$ 26,419.49
336612	P06835	Mercury Engine Rigging for Triple,V10's, DTS with E-Steer	\$ 43,218.73
336612	P06837	Mercury Engine Rigging for Trile,V10's, DTS with E-Steer and JPO	\$ 48,521.51
336612	P06838	Mercury Engine Rigging for Quad,V10's, DTS with E-Steer	\$ 53,855.59
336612	P06839	Mercury Engine Rigging for Quad,V10's, DTS with E-Steer and JPO	\$ 59,158.38
336612	P06846	Mercury Engine Rigging for Quad, V10's, DTS with Hydraulic Power Assist Steering	\$ 32,564.60
336612	P07138	Single Mercury V10 DTS Engine Rigging Kit.	\$ 19,383.57
336612	P07198	Mercury Next Gen DTS, V6/V8, Twin 175/300hp, CMS with Manual Hydraulic Steering	\$ 16,803.96
336612	P07199	Mercury Next Gen DTS, V6/V8, Twin 175/300hp, CMS with Hydraulic Power Assist Steering	\$ 19,996.30
336612	P07200	Mercury Next Gen DTS, V8, Twin 250/300hp, AMS with Hydraulic Power Assist Steering	\$ 17,719.06
336612	P07215	Dual Engine Hydraulic Jack Plate System	\$ 5,885.64
336612	P07253	Mercury Next Gen DTS, V8, Twin 250/300hp, AMS with Electric Steer	\$ 29,324.58
336612	P07254	Mercury Next Gen DTS, V8, Twin 250/300hp, AMS with Electric Steer, Joystick and Autopilot	\$ 34,627.37
336612	P04745	Port & Starboard Weapons Mount Foundations - Level 1 on SAFE 41FC.	\$ 1,174.81
336612	P07046	(2) Weapons Mount Foundations Port and Starboard - Level 1 on SAFE 10W.	\$ 2,268.24
336612	P04928	Task Force Tips Valve Position Indicator.	\$ 952.54
336612	P04947	Aft Locker Darley HGE 37V Fire Pump w/ Elec. Prime, Manual TFT Monitor w/ Manual	\$ 93,052.46
336612	P04953	Aft Locker Darley HGE 37V Fire Pump w/ Elec. Prime, Remote TFT Monitor & Handline	\$ 111,496.03
336612	P05060	Task Force Tips Panel Mount Operator Station.	\$ 1,165.95
336612	P06763	Task Force Tips Monsoon 1250 Electric Remote Monitor.	\$ 7,557.26
336612	P07026	Aft Locker Darley HGE 37V Fire Pump w/ Elec. Prime, Remote Task Force Monitor	\$ 102,883.55
336612	P07263	Task Force Tips, FLEX, Remote Control Monitor	\$ 8,719.29
336612	P05276	Trailer,32,000 GVW - 41 Stepped Hull, Aluminum, SS Disc Brakes GOOSENECK	\$ 64,794.92
336612	P06971	3-Day Familiarization Training, at Customer Location. CONUS,AK,HI	\$ 4,219.35
336612	P07449	Raymarine RVM-400 RealVision 3D Stainless Steel Thru Hull Transducer 0 Degree.	\$ 1,441.68
336612	P07448	Raymarine RVM-420 RealVision 3D Stainless Steel Thru Hull Transducer Pair 20 Degree.	\$ 2,375.68
336612	P07421	Raymarine AXIOM2 PRO 12 RVM MFD w/ RealVision 3D, 1kW CHIRP Sonar & Lighthouse	\$ 4,122.88
336612	P07388	Raymarine AXIOM2 PRO 12 S MFD w/ RealVision 3D, 1kW CHIRP Sonar & Lighthouse NC2	\$ 3,727.99
336612	P07423	Raymarine AXIOM2 PRO 16 S MFD w/ RealVision 3D, 1kW CHIRP Sonar & Lighthouse NC2	\$ 5,386.54
336612	P07439	Raymarine AXIOM2 PRO 16 RVM MFD w/ RealVision 3D, 1kW CHIRP Sonar & Lighthouse	\$ 5,781.43
336612	P07440	Raymarine AXIOM2 PRO 9 S MFD w/ RealVision 3D, 1kW CHIRP Sonar & Lighthouse NC2	\$ 2,819.74
336612	P07441	Raymarine AXIOM2 PRO 9 RVM MFD w/ RealVision 3D, 1kW CHIRP Sonar & Lighthouse	\$ 3,056.68
336612	P07422	SBI Fabricated Workstation Located in Port Aft Cabin of SAFE WAC.	\$ 2,041.15
336612	P07390	Mercury Next Gen DTS, V8, Triple 250/300hp, AMS with Electric Steering	\$ 41,018.19
336612	P07391	Mercury Next Gen DTS, V8, Triple 250/300hp, AMS with Electric Steer, Joystick and	\$ 46,219.63
336612	P07392	Mercury Next Gen DTS, V8, Quad 250/300hp, AMS with Electric Steering	\$ 47,960.91
336612	P07393	Mercury Next Gen DTS, V8, Quad 250/300hp, AMS with Electric Steer, Joystick and	\$ 53,163.04
336612	P02646	Raymarine AR200 Augmented Reality Stabilization Module.	\$ 619.65
336612	P07453	Stainless Steel Folding Step.	\$ 168.02
336612	P07425	Yamaha Single Engine Rigging, 150-450HP w/Digital Electric Controls	\$ 8,993.89

SIN	MFR PART NO	PRODUCT DESCRIPTION	GSA PRICE
336612	P07426	Yamaha Single Engine Rigging, 150-450HP w/Autopilot and Full Maneuverability	\$ 14,383.70
336612	P07427	Yamaha Single Engine Rigging, 150-450HP w/Autopilot, Full Maneuverability and Bolt-On	\$ 16,973.45
336612	P07428	Yamaha Dual Engine Rigging, 150-450HP w/Digital Electric Controls	\$ 15,469.83
336612	P07429	Yamaha Dual Engine Rigging, 150-450HP w/Autopilot and Full Maneuverability	\$ 22,694.48
336612	P07430	Yamaha Dual Engine Rigging, 150-450HP w/Autopilot, Full Maneuverability and Bolt-On	\$ 28,032.02
336612	P07431	Yamaha Triple Engine Rigging, 150-450HP w/Digital Electric Controls	\$ 20,306.27
336612	P07432	Yamaha Triple Engine Rigging, 150-450HP w/Autopilot and Full Maneuverability	\$ 30,139.16
336612	P07433	Yamaha Triple Engine Rigging, 150-450HP w/Autopilot, Full Maneuverability and Bolt-On	\$ 38,905.76
336612	P07434	Yamaha Quad Engine Rigging, 150-450HP w/Digital Electric Controls	\$ 29,600.66
336612	P07435	Yamaha Quad Engine Rigging, 150-450HP w/Autopilot and Full Maneuverability	\$ 43,520.66
336612	P07436	Yamaha Quad Engine Rigging, 150-450HP w/Autopilot, Full Maneuverability and Bolt-On	\$ 54,330.83
336612	P00742	Add (1) SBI Fabricated Seatbox to Cabin Interior on SAFE FC.	\$ 1,097.72
336612	P02280	120V 60Hz 50A Shore Power Kit on SAFE FC w/ Quad Outboards & Generator.	\$ 8,393.84
336612	P02304	(1) Blue Seas USB Dual Port Receptacle.	\$ 114.69
336612	P02321	Add (1) LED Red/White Dome Light on SAFE Boat.	\$ 90.61
336612	P02602	Furuno NMEA2000 Micro Cable, 2 Meter, Male-Female Connectors (Straight)	\$ 139.40
336612	P02603	Furuno LAN Cable Assembly 5M RJ45 X RJ45 4P.	\$ 171.41
336612	P02633	Furuno NMEA2000 Starter Kit.	\$ 285.06
336612	P02634	Furuno NMEA2000 T-Connector, Female/Female/Male.	\$ 48.72
336612	P03473	Furuno TM275LHW-12P Plastic 1kW Transom Mount CHIRP Transducer w/Temp, 12-Pin,	\$ 2,162.18
336612	P03517	Gas Particulate Filtration System W-Side Sliding Doors on SAFE FC10W.	\$ 111,660.14
336612	P03635	Add (2) Flush Mounted Cup Holders.	\$ 54.70
336612	P03896	Dive Ladder PRC Platform on SAFE 41.	\$ 1,680.92
336612	P03930	Winslow 6 Person Ultra Light Offshore Life Raft Installed on SAFE 41 INT.	\$ 8,295.52
336612	P04776	Add (1) Removable SS Ensign Staff/Flag Pole w/ Flag Clips & Base.	\$ 356.22
336612	P07567	Yamaha 350 DES	\$ 36,885.66
336612	P07605	Window Shades Removable	\$ 2,610.43
336612	P07642	SAFE 41 Full Cabin - Offshore	\$ 484,626.71
336612	P07648	Icom M510 VHF Marine Transceiver w/AIS, UT-112 Digital Scrambling Unit, VHF/AIS Wide	\$ 1,679.89
336612	P07665	Install (1) Cable Clam.	\$ 64.77
336612	P07666	Aft Locker Slide Tray to Aft Locker Generator.	\$ 1,962.21
336612	P07668	Ritchie SuperSport SS-PR2 (Dash Mount) Compass.	\$ 453.99
336612	P07669	Tow Post on a SAFE Boat.	\$ 858.87
336612	P07675	Double Pipe Motor Guard on SAFE Boat.	\$ 2,809.87
336612	P07677	Shower, Sink, Flushing Toilet & Holding Tank w/ OB Discharge on SAFE 41 FC.	\$ 11,547.26
336612	P07678	Cuddy Bunk on SAFE FC.	\$ 2,555.66
336612	P07692	Additional Row of Collar Length Rub Strake on SAFE Boat.	\$ 1,430.48
336612	P07713	Garmin GPSMAP 743xsv 7" Chartplotter (SideVu, ClearVu & Traditional CHIRP Sonar w/	\$ 1,343.11
336612	P07785	LED Deck Lights Deck Lights L.	\$ 1,923.77
336612	P07786	Upholstered Cushions to Fwd V-Berth Area Below Sheer Deck.	\$ 917.43
336612	P07791	Garmin GMR 24 xHD3 Radome w/15m Cable	\$ 2,804.52
336612	P07803	Raymarine RNS-5 5-Port Gigabit Network Switch	\$ 435.73
336612	P07804	Raymarine RNS-8 8-Port Gigabit Network Switch	\$ 933.29
336612	P07838	Window and Door Package, Fritted, 441FC with Sheer Deck	\$ 25,528.39
336612	P07846	Worktable w/Bench in Cabin Interior on SAFE FC.	\$ 4,420.58
336612	P07848	Allsalt 2000 Suspension Seat, No Adjustment, Lapbelt, Black Upholstery.	\$ 5,730.47
336612	P07851	Golight Stryker ST Series Searchlight with Wired Remote	\$ 689.18
336612	P07634	Install Seakeeper 6 on SAFE 41INT	\$ 91,250.69

Exhibit B:
Insurance Requirements
(Marine Services)

Contractor shall procure and maintain for the duration of the contract insurance against claims for injuries to persons or damages to property which may arise from or in connection with the performance of the work hereunder and the results of that work by the Contractor, his agents, representatives, employees or subcontractors.

MINIMUM SCOPE AND LIMIT OF INSURANCE

Coverage shall be at least as broad as:

- 1. Marine General Liability (MGL):** Insurance Services Office Form CG 00 01 covering MGL on an "occurrence" basis, including protection & indemnity (P&I), hull & machinery coverage, vessel pollution liability, products and completed operations, property damage, bodily injury, with limits no less than **\$3,000,000** per occurrence. If a general aggregate limit applies, either the general aggregate limit shall apply separately to this project/location (ISO CG 25 03 or 25 04) or the general aggregate limit shall be twice the required occurrence limit.
- 2. Maritime Employers Liability (MEL):** Only if vendor will be diving, with limits no less than **\$1,000,000**. All divers must be commercially certified as required by law.
- 3. Automobile Liability:** ISO Form Number CA 00 01 covering any auto (Code 1), or if Contractor has no owned autos, hired, (Code 8) and non-owned autos (Code 9), with limit no less than **\$1,000,000** per accident for bodily injury and property damage.
- 4. Workers' Compensation or US Longshore and Harbor (USL&H) Workers' Compensation coverage:** as required by the State of California or other licensed entity, with Statutory Limits, and Employer's Liability Insurance with limit of no less than **\$1,000,000** per accident for bodily injury or disease.

If the Contractor maintains broader coverage and/or higher limits than the minimums shown above, the City of Stockton requires and shall be entitled to the broader coverage and/or the higher limits maintained by the contractor. Any available insurance proceeds in excess of the specified minimum limits of insurance and coverage shall be available to the City of Stockton.

Other Insurance Provisions

The insurance policies are to contain, or be endorsed to contain, the following provisions:

Additional Insured Status

The City of Stockton, its officers, officials, employees, and volunteers are to be covered as additional insureds on the CGL policy with respect to liability arising out of work or operations performed by or on behalf of the Contractor including materials, parts, or equipment furnished in connection with such work or operations. General liability coverage can be provided in the form of an endorsement to the Contractor's insurance (at least as broad as ISO Form CG 20 10 11 85 or if not available, through the addition of **both** CG 20 10, CG 20 26, CG 20 33, or CG 20 38; **and** CG 20 37 if a later edition is used). Additional insured Name of Organization shall read "City of Stockton, its officers, officials, employees, and volunteers." Policy shall cover City of Stockton, its officers, officials, employees, and volunteers for all locations work is done under this contract.

Primary Coverage

For any claims related to this contract, the **Contractor's insurance coverage shall be primary and non-contributory** and at least as broad as ISO CG 20 01 04 13 as respects the City of Stockton, its officers, officials, employees, and volunteers. Any insurance or self-insurance maintained by the City of Stockton, its officers, officials, employees, or volunteers shall be excess of the Contractor's insurance and shall not contribute with it. This requirement shall also apply to any Excess or Umbrella liability policies. The City of Stockton does not accept endorsements limiting the Contractor's insurance coverage to the sole negligence of the Named Insured.

Umbrella or Excess Policy

The Contractor may use Umbrella or Excess Policies to provide the liability limits as required in this agreement. This form of insurance will be acceptable provided that all of the Primary and Umbrella or Excess Policies shall provide all of the insurance coverages herein required, including, but not limited to, primary and non-contributory, additional insured, Self-Insured Retentions (SIRs), indemnity, and defense requirements. The Umbrella or Excess policies shall be provided on a true "following form" or broader coverage basis, with coverage at least as broad as provided on the underlying Commercial General Liability insurance. No insurance policies maintained by the Additional Insureds, whether primary or excess, and which also apply to a loss covered hereunder, shall be called upon to contribute to a loss until the Contractor's primary and excess liability policies are exhausted.

Notice of Cancellation

Each insurance policy required above shall provide that coverage shall not be canceled, except with notice to the City of Stockton.

Waiver of Subrogation

Contractor hereby grants to City of Stockton a waiver of any right to subrogation which any insurer of said Contractor may acquire against the City of Stockton by virtue of the payment of any loss under such insurance. Contractor agrees to obtain any

endorsement that may be necessary to affect this waiver of subrogation, but this provision applies regardless of whether or not the City of Stockton has received a waiver of subrogation endorsement from the insurer.

Self-Insured Retentions

Self-insured retentions must be declared to and approved by the City of Stockton. The City of Stockton may require the Contractor to purchase coverage with a lower retention or provide proof of ability to pay losses and related investigations, claim administration, and defense expenses within the retention. The policy language shall provide, or be endorsed to provide, that the self-insured retention may be satisfied by either the named insured or City of Stockton. The CGL and any policies, including Excess liability policies, may not be subject to a self-insured retention (SIR) or deductible that exceeds \$25,000 unless approved in writing by City of Stockton. Any and all deductibles and SIRs shall be the sole responsibility of Contractor or subcontractor who procured such insurance and shall not apply to the Indemnified Additional Insured Parties. City of Stockton may deduct from any amounts otherwise due Contractor to fund the SIR/deductible. Policies shall NOT contain any self-insured retention (SIR) provision that limits the satisfaction of the SIR to the Named. The policy must also provide that Defense costs, including the Allocated Loss Adjustment Expenses, will satisfy the SIR or deductible. City of Stockton reserves the right to obtain a copy of any policies and endorsements for verification.

Acceptability of Insurers

Insurance is to be placed with insurers authorized to conduct business in the state with a current A.M. Best's rating of no less than A:VII, unless otherwise acceptable to the City of Stockton.

Claims Made Policies (Professional & Pollution only)

If any of the required policies provide claims-made coverage:

1. The Retroactive Date must be shown, and must be before the date of the contract or the beginning of contract work.
2. Insurance must be maintained, and evidence of insurance must be provided ***for at least five (5) years after completion of the contract of work.***
3. If coverage is canceled or non-renewed, and not replaced ***with another claims-made policy form with a Retroactive Date prior to*** the contract effective date, the Contractor must purchase "extended reporting" coverage for a minimum of ***five (5) years*** after completion of work.

Verification of Coverage

Contractor shall furnish the City of Stockton with original certificates and amendatory endorsements or copies of the applicable policy language effecting coverage required by this clause **and a copy of the Declarations and Endorsements Pages of the CGL and any Excess policies listing all policy endorsements.** All certificates and endorsements and copies of the Declarations & Endorsements pages are to be received and approved by the City of Stockton before work commences. However, failure to obtain the required documents prior to the work beginning shall not waive the Contractor's obligation to provide them. The City of Stockton reserves the right to require complete, certified copies of all required insurance policies, including endorsements required by these specifications, at any time. City of Stockton reserves the right to modify these requirements, including limits, based on the nature of the risk, prior experience, insurer, coverage, or other special circumstances.

Special Risks or Circumstances

City of Stockton reserves the right to modify these requirements, including limits, based on the nature of the risk, prior experience, insurer, coverage, or other special circumstances.

Certificate Holder Address

The address for mailing certificates, endorsements and notices shall be:

City of Stockton
Its Officers, Officials, Employees, and Volunteers
400 E Main St, 3rd Floor – HR
Stockton, CA 95202

Exhibit C



SAFE Boats International

8800 SW Barney White Rd
 Bremerton, WA, 98312
 t: (360) 674-7161 f: (360) 674-7149

ATTACHMENT A

Number: SBIQ1151
Date: Aug 19, 2024
Expiration Date: Nov 19, 2024
Salesperson: Cole Christensen
Quote Type: Boat Quote

GSA Contract# 47QSWA18D005J

Sold To:	Ship To:
Stockton Police Department Sgt. Bobby Wong 22 E. Market Street Stockton, California, 95202 Phone 209-937-7147 Fax	Stockton Police Department Sgt. Bobby Wong 22 E. Market Street Stockton, California, 95202 Phone 209-937-7147 Fax

Line	GSA	Code	Description	Qty	Unit Price	Ext. Price
1	336612	P05474	SAFE 27 Walk Around Cabin	1	\$297,874.46	\$297,874.46
2	336612	P01278	Upgrade to Manual Drop Bow.	1	\$6,631.80	\$6,631.80
3	336612	P01094	Seat Storage Locker in Front of Console for WAC.	1	\$2,264.62	\$2,264.62
4	OPEN MARKET	P06883	Remove Base Boat Seat on SAFE WAC/FC.	2	(\$1,375.02)	(\$2,750.04)
5	336612	P06799	Allsalt 2000 Suspension Seat, Fore/Aft/Height Adjust, Lapbelt, Black Upholstery.	2	\$6,578.55	\$13,157.10
6	336612	P06787	Allsalt Adjustable Footrest w/ 20" Tread, 6" Height Adjustment, 0 Deg Incline Mounted	2	\$1,431.08	\$2,862.16
7	336612	P01262	Bow Cover 3 Piece, 10' Wide w/ Drop Bow.	1	\$3,625.86	\$3,625.86
8	OPEN MARKET	P01267	Collar Color Black	1	\$0.00	\$0.00

Line	GSA	Code	Description	Qty	Unit Price	Ext. Price
9	OPEN MARKET	P01355	Gray Rub-Strake	1	\$0.00	\$0.00
10	336612	P01345	SAFE 10ft Beam Boats Personnel Recovery Cutout	1	\$2,215.31	\$2,215.31
11	336612	P01488	Collar Identification - Midships.	1	\$326.56	\$326.56
12	OPEN MARKET	P08097	Top Side Paint, Cabin Exterior Only on Safe 27WAC	1	\$20,579.29	\$20,579.29
13	OPEN MARKET	P01800	Black Rubberized Rail Wrap.	1	\$0.00	\$0.00
14	336612	P01528	Black Rubberized Dash Skid	1	\$1,015.05	\$1,015.05
15	OPEN MARKET	P01566	Black Non-Skid	1	\$0.00	\$0.00
16	336612	P02028	3-Bank Battery Charging System, 12VDC, w/ Shore Plug Receptacle.	1	\$1,564.67	\$1,564.67
17	336612	P02089	Westerbeke 5.0MCGA 5.0kW Low-CO 60Hz Gas Generator in Stbd Aft Locker on SAFE 10 Wide.	1	\$27,774.72	\$27,774.72
18	336612	P02578	ACR RCL-100 LED Remote Control Searchlight, 220,000 CD, 12/24VDC.	1	\$1,984.64	\$1,984.64
19	336612	P02372	Upgrade to Dr LED ""Kevin"" 600+ Lumens LED Flood Lights.	1	\$1,057.66	\$1,057.66
20	336612	P07421	Raymarine AXIOM2 PRO 12 RVM MFD with Integrated 1KW Sonar, DV, SV, RealVision 3D, Sonar and Lighthouse North America Chart.	1	\$4,122.65	\$4,122.65
21	336612	P02904	Raymarine GA150 External GPS Antenna & Global Navigation Satellite System (GNSS) Receiver.	1	\$236.69	\$236.69
22	336612	P03434	Raymarine RV-100 RealVision 3D Transom Mount Transducer.	1	\$701.41	\$701.41
23	336612	P02893	FLIR M364C Dual Payload Stabilized 640 Thermal 24 Deg FoV & HD Color Low-Light Camera w/o JCU.	1	\$23,000.09	\$23,000.09
24	336612	P02887	FLIR JCU1 PoE Injector Kit for FLIR M300 Series Cameras.	1	\$1,408.19	\$1,408.19

Line	GSA	Code	Description	Qty	Unit Price	Ext. Price
25	OPEN MARKET	P02822	Standard Horizon Eclipse GX1400 Fixed Mount Class D DSC VHF w/ Shakespeare 5225-XT Galaxy Antenna.	1	\$843.60	\$843.60
26	336612	P02729	Install Customer Supplied Agency Radio & Antenna. Radio Make/Model TBD.	1	\$584.89	\$584.89
27	336612	P02963	Whelen Loudhailer System. WPA112, WPA3, SA315.	1	\$2,052.20	\$2,052.20
28	OPEN MARKET	P02975	Universal Laptop Mounting Tray.	1	\$193.77	\$193.77
29	336612	P03491	Whelen Liberty II WC Series 54"" LEDLightbar, Blue. FWC #SXBBFWC06.	1	\$4,478.51	\$4,478.51
30	336612	P03601	Dometic DuraSea 15,000 BTU Roof Top Air Conditioner, 115VAC 60Hz.	1	\$2,721.39	\$2,721.39
31	336612	P03644	Webasto AT2000 Diesel Heater w/ 2.5 Gal Tank on SAFE WAC.	1	\$5,866.74	\$5,866.74
32	336612	P07318	Yamaha 300 DES	2	\$31,132.33	\$62,264.66
33	336612	P07429	Yamaha Dual Engine Rigging, 150-450HP w/Autopilot and Full Maneuverability	1	\$22,693.19	\$22,693.19
34	336612	P04573	Upgrade to Stainless Steel Steering Wheel.	1	\$170.05	\$170.05
35	336612	P04680	(2) SBI Universal Gun Locks Installed in Aft Cabin.	1	\$450.72	\$450.72
36	336612	P05086	Docking Kit for 17'-38' Hulls.	1	\$490.87	\$490.87
37	336612	P05233	Offshore Safety Kit	1	\$899.41	\$899.41
38	336612	P05070	Anchor Kit 27'-31'	1	\$609.60	\$609.60
39	336612	P05297	Trailer, 11500 - Alum. 25'-27' WA/FC 2510 TT/CC	1	\$16,236.02	\$16,236.02
40	336612	P05313	2-Day Familiarization Training, at Customer Location. CONUS,AK,HI	1	\$3,281.53	\$3,281.53
41	336612	P05408	Shipping Prep/Full Shrink Wrap	1	\$2,201.89	\$2,201.89

ATTACHMENT A

Subtotal	\$535,691.93
Tax	\$48,212.27
Shipping	\$6,220.00
Total	\$590,124.20

SHIPPING:

Customer is responsible for offloading the boat and trailer from the transport trailer at the destination in Stockton, CA. Incoterms CIF (Cost, Insurance and Freight) applies.

PAYMENT TERMS:

40% due at Contract Award

30% due at Mid-Build

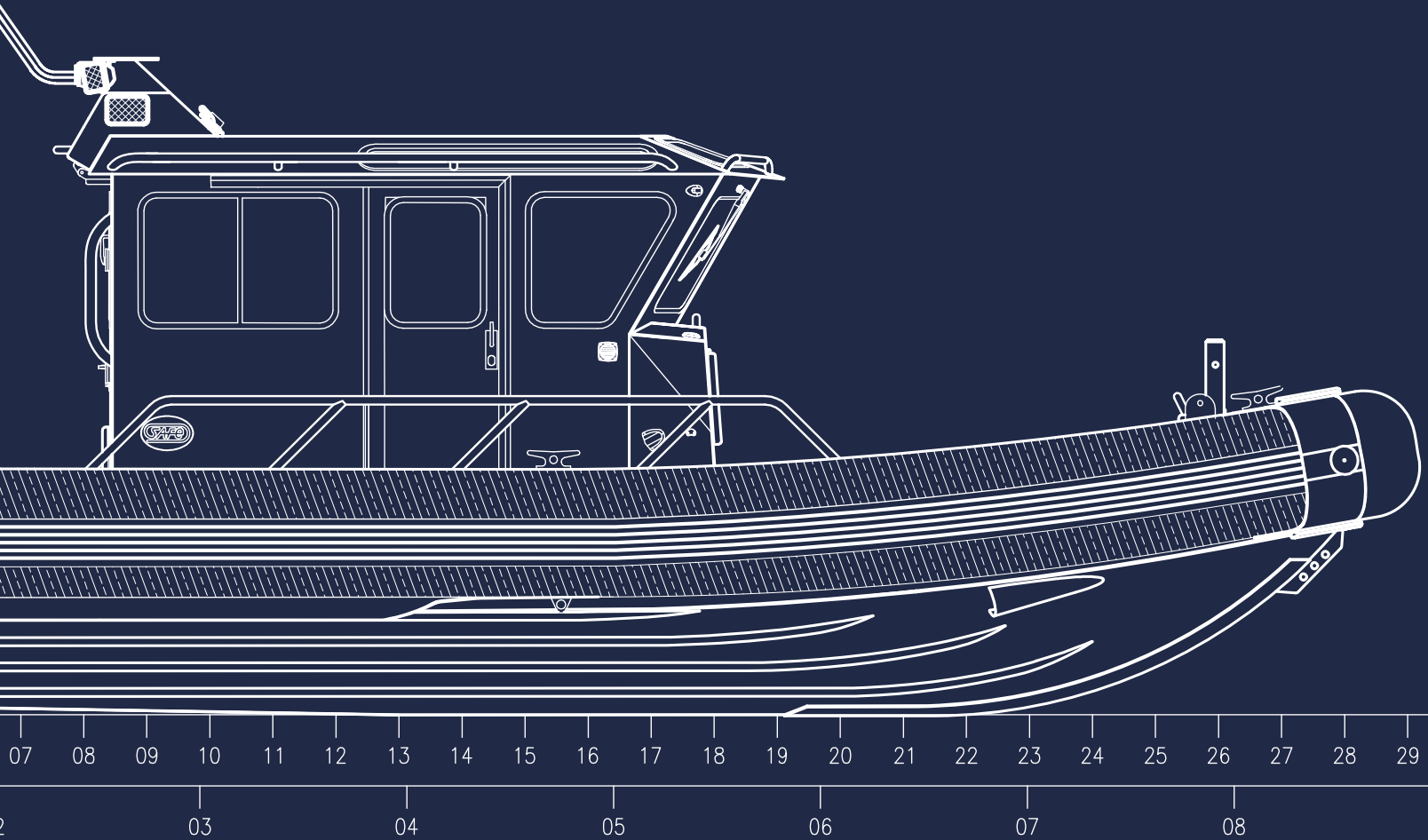
30% due at Vessel Acceptance

All payments due within 30 days of invoice.

Please contact Cole Christensen for any assistance regarding this quote

(m) 360-633-0368

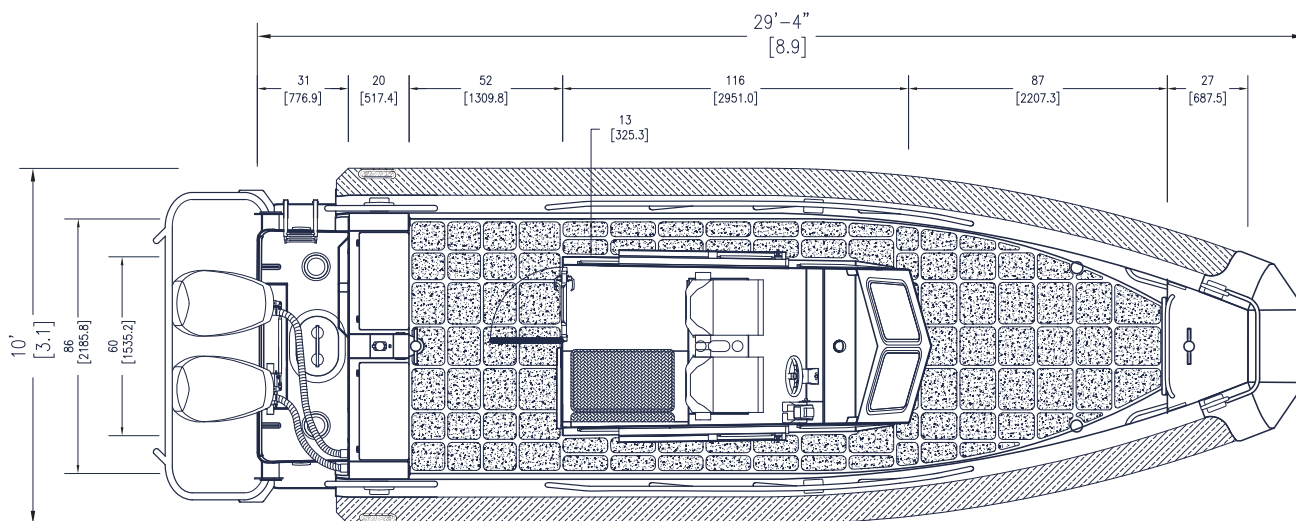
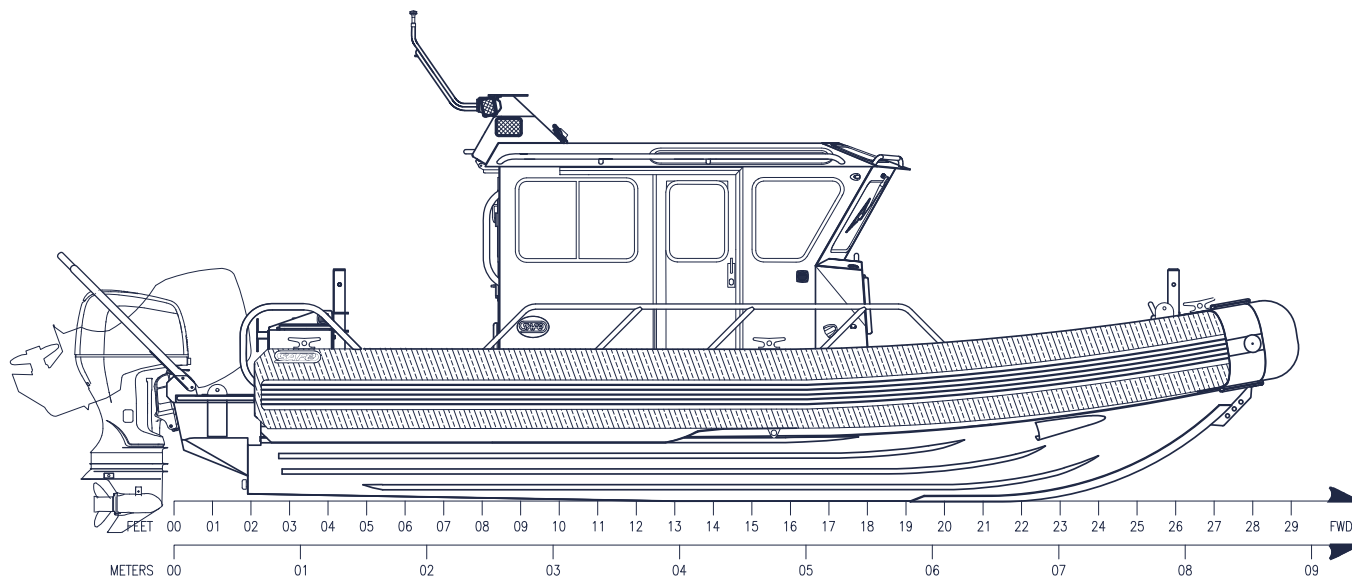
cchristensen@safeboats.com



SAFE 27

WALK AROUND CABIN

SAFE 27 WALK AROUND CABIN
VISUAL REFERENCE + SPECIFICATIONS



Length Overall (LOA) (feet)**29'-4"**
 Length Overall (meters).....**8.9**
 Beam Overall (BOA) (feet) **10'**
 Beam Overall (meters)..... **3.1**
 Deadrise at Transom (degrees) **25**
 Draft (engine trimmed up) (inches) **25"**
 Max HP **700**
 Top Speed (knots) **46**

Max Range (NM) **260 @ 28 knots**
 Fuel Cap (gal) **200**
 Seated Positions.....**6**
 Dry Weight: vessel, no engines, no fuel,
 no options, no liquids, no people, no cargo
 (approximate) (lbs)**7,432**
 Light Load: dry weight, weight of heaviest
 engines (lbs).....**9,572**
 Operational Load (lbs)**11,530**

Cargo/Personnel Capacity-Net-Gross:
 minus weight of heaviest engines, weight of
 fuel, and options (lbs)..... **4,132**
 Height on trailer - Road Transport (feet) . . **12'**
 Length on trailer - Road Transport
 (feet).....**42'-6"**
 Weight on Trailer (lbs) **10,810**

**All specs, features and GAs shown are
 subject to change*

HULL & DECK

- 5/16" - 5086 bottom plate
- Reinforced keel beaching plate
- Stepped transom with speed shoe in bottom plate
- Performance wings below collars for increased lift and stabilization while maneuvering
- Fully welded performance lifting strakes
- Self-bailing decks with high-volume scupper drains
- Easy access port and starboard walkways between the cabin and gunnels
- Bow storage/anchor locker with aft-facing door
- Dual aft rigging locker system with topside access
- Transom inspection hatch
- Sacrificial hull anode(s)

SUPER STRUCTURE

- Three weather-tight doors in main cabin
- Weather-tight, hinged cuddy access hatch
- Two (2) aft-sliding windows, port and starboard
- Overhead spotter windows (tinted)
- Tempered glass used in all windows
- Safety hand/grab rail system
- Swing down radar pod

CONSOLE & DASH

- Starboard side helm
- OHIP - Over Head Instrument Panel

COLLAR SYSTEM

- Patented 100% foam SAFE XDR-1 Extreme Duty Reinforced collar system with black rubstrake
- Available collar colors include: black, blue, gray, orange, green, red

COATINGS, COVERINGS & LETTERING

- Marine-grade carpet and insulation
- Upholstered headliner
- Black mesh snap covers on interior storage box openings

TOWING, LIFTING & ATTACHMENT POINTS

- Six (6), 10" cast aluminum weld-on cleats
- Custom fabricated weld-on pick eyes with stainless steel inserts
- Weld-on bow eye with triple stainless steel inserts
- Weld-on transom tie downs
- Fore and aft tow posts with single stainless steel cross pin
- Motor guard/tow line guide

ELECTRICAL SYSTEM & POWER GENERATION

- House battery system 12VDC - one (1) marine-grade battery with switch
- Backlit switch panel with marine-grade switches
- Four (4) 12VDC power receptacles - two (2) on dash and two (2) on arch
- Self-parking, intermittent windshield wiper system with washer

LIGHTING

- LED navigation lights (running and anchor)
- Independently controlled interior/exterior dimmable LED walkway lights
- Two (2) red/white dome lights in cabin

ELECTRONICS, NAVIGATION & COMMUNICATION

- Navigation horn

CREW COMFORT

- Two (2) ventilation fans

SAFETY, RESCUE & DIVING EQUIPMENT

- Three (3) fire extinguishers
- Life ring mount
- Cabin dewatering pump, 1100 GPH
- 1100 GPH bilge pump in outboard bracket
- CO detector(s) mounted in cabin
- Telescoping swim ladder mounted on outboard bracket

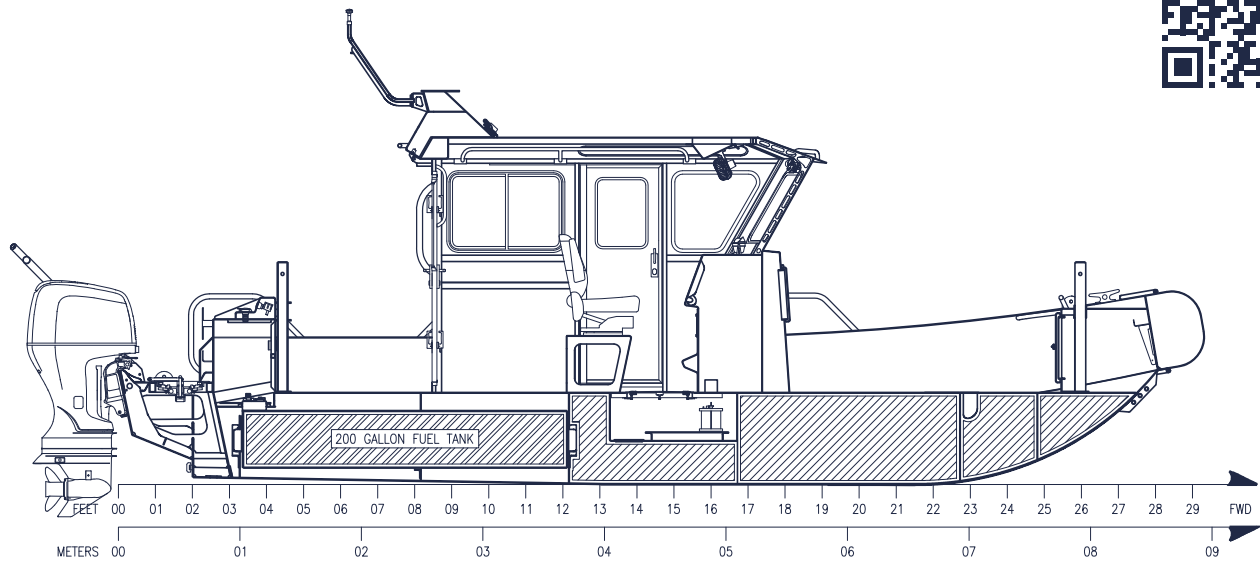
FUEL SYSTEM

- 200-gallon fuel tank with a formed bottom (1/4" - 5086)
- EPA-compliant fill and vent system with integrated check-valves, refueling vapors through carbon canister



SAFE 27 WALK AROUND CABIN

VISUAL REFERENCE + OPTIONAL EQUIPMENT



PROPULSION

- Engines
- Engine(s) Rigging
- Power Assist Steering Upgrade

CONFIGURATION OPTIONS

- Bow Cover
- Sheer Deck
- Personnel Recovery Cut-Outs (collar)
- Electronically Actuated Drop Bow
- Aft Bimini Top
- Reinforced Push Knees
- Locker System(s)
- Upgraded Premium Shock Mitigating Crew Seats
- SAFE XDR-2 Upgrade (lines & D-rings)
- Topside/Cabin Paint
- Bottom Paint
- Tow Line Storage Spool/Cover/Line
- Interior Cabin Workstations
- Davit/Electric Winch
- Engine Guard/Tow Line Guide (standard on some models)
- Tow Post(s) (standard on some models)

ELECTRONICS/LIGHTING

- Navigation Package(s)
- Side Scan Sonar
- Thermal/Low Light Camera Systems
- Loudhailer
- AIS
- Satellite Weather Receiver/Overlay
- VHF/UHF
- Wired/Wireless Intercom System
- EPIRB
- Chemical Biological Radiological Nuclear Detection Equipment (CBRNE)
- Law Enforcement Lighting Strobes/Bars (blue/red/amber)
- Searchlights
- Upgraded LED Flood Lights
- Underwater Dive Lights
- Laptop Mounting/Docking Station(s)
- Customer Furnished Equipment (CFE) Installation

CREW COMFORT

- Generator
- Extreme Weather Generator Upgrade
- Air Conditioning
- Diesel Heater
- Shore Power
- Fresh/Raw Water Washdown

OUTFIT

- Safety Kit
- Docking Kit
- Anchor Kit
- Personnel Flotation Device(s) (PFD)

TRAILERING

- Trailer with Bow Ladder
- Rolling Ship Yard Cradle

DOCUMENTATION

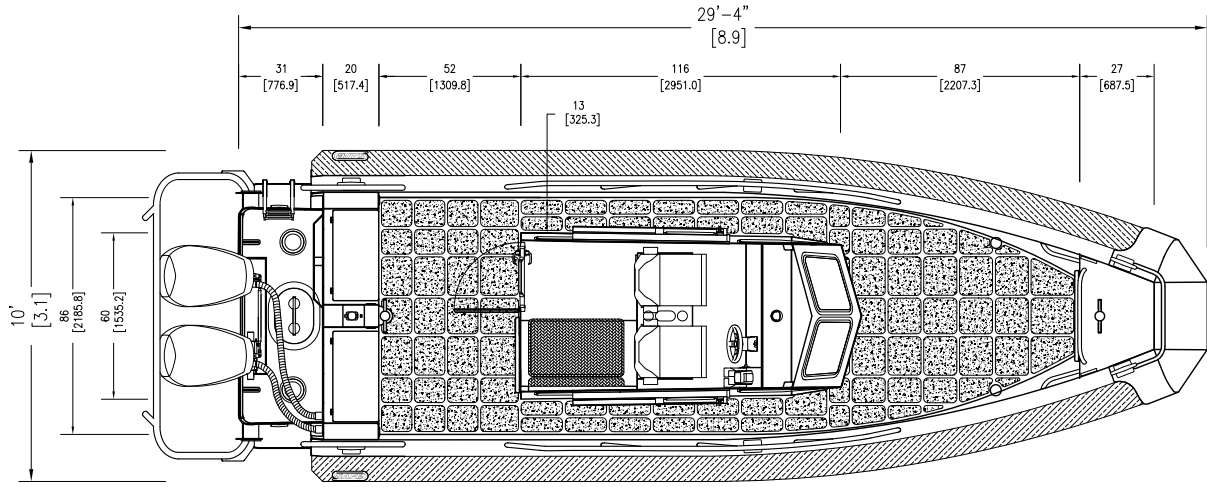
- Wire Label Package/Diagram(s)
- Drawing Package(s)
- Operator/Repair Manual(s)

MISCELLANEOUS

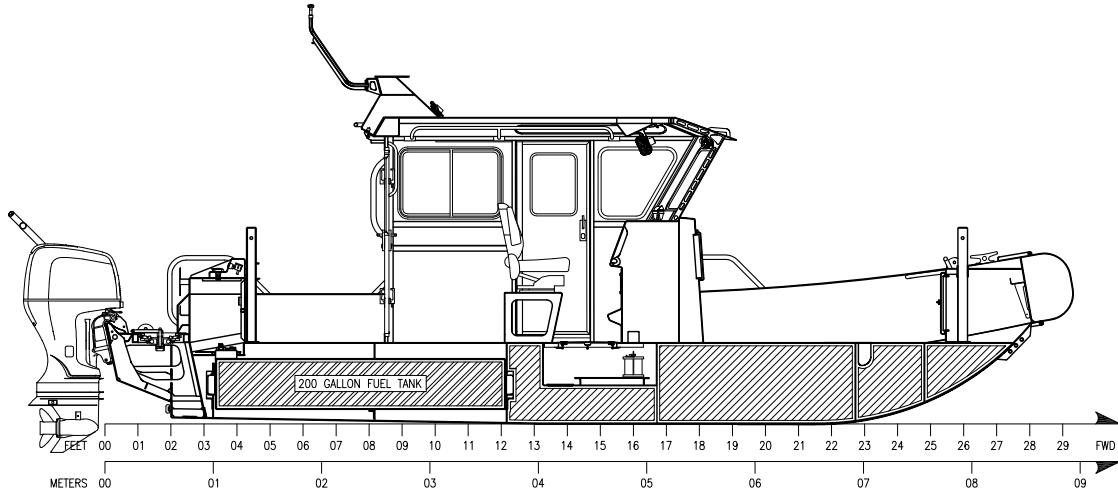
- Dive Ladder(s)
- Dive Tank Storage/holders
- Dive Light Mast
- Tow Light Mast
- Gun Locks/Locker(s)
- Fire Fighting Pump/Engine Systems

**All specifications and standard features are subject to change. Not all options are available on all models. Please contact SAFE Sales Department for details.*

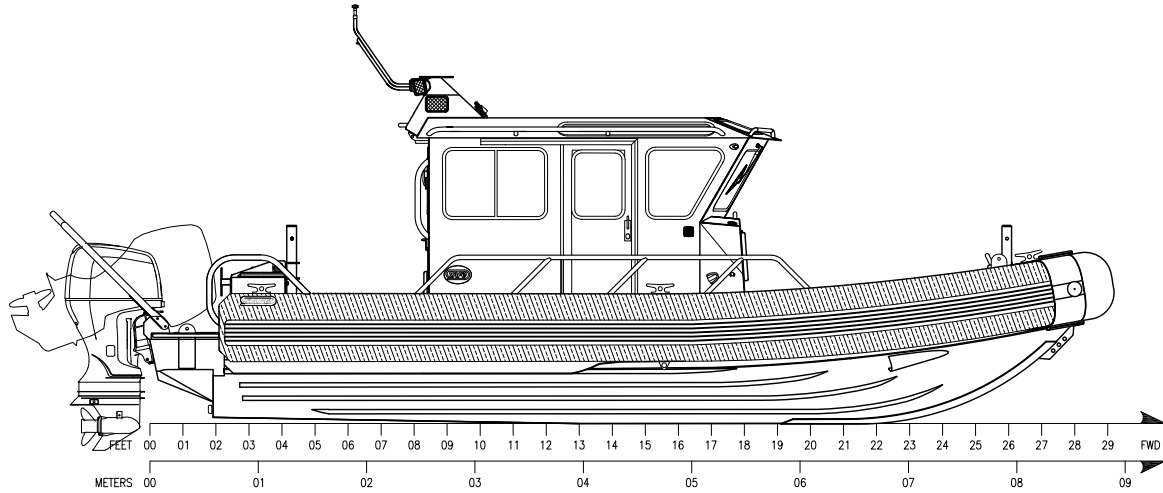
ATTACHMENT A



INBOARD PLAN VIEW



INBOARD PROFILE



OUTBOARD PROFILE

SPECIFICATIONS

LOA	29'-4" [8.9]
BEAM	10' [3.1]
HEIGHT ON TRAILER	12' [3.6]
DEADRISE	25"
FUEL	200 GALLONS [757 LITERS]
MAX HP	600 [441.3 kW]

SHOWN WITH OPTIONAL ENGINES. SPECIFICATIONS ARE APPROXIMATES ONLY AND SUBJECT TO CHANGE.

THIS DOCUMENT DISCLOSES SUBJECT MATTER IN WHICH SAFE BOATS INTL., LLC. HAS PROPRIETARY RIGHTS. THE INFORMATION AND DESIGN DISCLOSED HEREIN WERE ORIGINATED BY AND ARE THE PROPERTY OF SAFE BOATS INTL., LLC. NEITHER RECEIPT NOR POSSESSION THEREOF CONFERS ANY RIGHT TO REPRODUCE, COPY, OR DISCLOSE THE DOCUMENT, ANY PART THEREOF, ANY INFORMATION CONTAINED THEREIN OR TO CONSTRUCT PRODUCTS FROM IT.



GENERAL ARRANGEMENTS

SAFE BOATS DRAWING NO.	329 - SAFE 27 WAC	REV	-
SCALE:		SHEET 1	OF 1

EXPRESS LIMITED WARRANTY

(10/2020)

CONTACT INFORMATION

For Information about products or support services including the express limited warranty and Optional Service Plus warranty:

Call Customer Service: (360) 674-7161

Email express limited warranty claims to: warranty@safeboats.com

Website: www.safeboats.com

1. EXPRESS LIMITED WARRANTY

SAFE Boats International, LLC ("SBI"), for the time periods detailed in the table below warrants that 1) all SBI manufactured products conform to SBI's specifications and are free of any defect in materials or workmanship; and 2) all SBI provided equipment has been properly installed. The coverage period is measured from the date of acceptance of the vessel. **Original Manufacture Equipment is warranted by the respective manufacturer. Consumer understands that SBI's Limited Warranty, as well as its exclusions and limitations are factors in the determination of the contract price. Consumer has chosen to accept the Express Limited Warranty limitations rather than seek additional warranties and remedies at an increased price.**

SBI's Express Limited Warranty, as well as any other warranty that might be expressed herein provided by SBI, only applies to the original consumer, as defined below, and it is non-transferable under any circumstances unless written consent is provided by SBI at SBI's sole discretion and assessment of the vessel's condition, if deemed necessary.

The Consumer's sole and exclusive remedy under this Limited Warranty will be repair or replacement of the warranted part, at SBI's sole discretion and assessment of the vessel's condition, if deemed necessary.

None of these warranties are valid for systems that have been modified or structurally altered or subject to unreasonable use, improper docking or storage, lack of reasonable and proper maintenance, negligence, or accident.

DEFINITIONS FOR TERMS WITHIN THIS WARRANTY
HULL - Welded aluminum structure from the deck to the keel of the Vessel.
SUPERSTRUCTURE - Any welded aluminum structure above the Vessel's deck or attached to the hull, including but not limited to the cabin, center console, bolsters, lockers, performance wings, and all parts permanently integrated into these structures, including windows and doors. Superstructure only includes those items manufactured by SBI that are permanently integrated into the superstructure, and specifically excludes all OEM components.
COLLAR SYSTEM - Outer collar membrane and internal foam.
ORIGINAL EQUIPMENT MANUFACTURER ("OEM") - The Vessel's engines, engine components, batteries, propellers, controls, control cables, steering systems, electronics, trailers, and any other accessory covered by a separate OEM warranty.
ORIGINAL CONSUMER - The original customer that purchased the Vessel directly from SBI.

2. EQUIPMENT WARRANTY PERIOD

SBI MANUFACTURED PRODUCTS	Standard Equipment Warranty Period
HULL	15 years from the acceptance of the Vessel
FUEL TANK	5 Years from the acceptance of the Vessel
SUPERSTRUCTURE	2 years from the acceptance of the Vessel
COLLAR SYSTEM	3 years from the acceptance of the Vessel
INSTALLATION OF EQUIPMENT (which is limited to the installation workmanship of components and equipment specifically installed by SBI)	1 year from the acceptance of the Vessel

3. EXTENDED WARRANTY PERIOD THROUGH OPTIONAL SERVICE PLUS

The above stated warranty periods for services may be increased strictly upon purchase and registration through "Optional Service Plus" Warranty coverage with SBI. The "Optional Service Plus" Warranty only increases the duration/period of time which the components are covered. All

other responsibilities/obligations remain the same as contained within this Express Limited Warranty. Contact SBI Sales Department to obtain coverage and prices for "Optional Service Plus" Warranty period.

4. INSTALLED EQUIPMENT WARRANTED BY OEM

OEM INSTALLED EQUIPMENT	Standard Equipment Warranty Period
Defects on OEM manufactured equipment installed by SBI.	For the warranty periods of OEM equipment installed by SBI, please refer to the respective OEM warranty. Consumers are further advised to consult the respective OEM's warranty registration and claim procedure requirements of the products in questions to assure compliance.

5. OWNER'S RESPONSIBILITY PURSUANT TO THE WARRANTY

No warranty repairs are to be carried out without the expressed written authorization of SBI. SBI must be notified, in writing, within 30 days of the discovery of any defect which is subject to warranty by SBI. Warranty work may be performed at SBI's manufacturing facility, the Consumer's location, or the facility of an authorized SBI agent. If warranty repairs are to be performed at the Consumer's location, it is the responsibility of the consumer to make the vessel available to SAFE Boats at a suitable facility and the Consumer is responsible for all costs and logistics related to haul out, trailering and delivering the boat to the facility.

6. WARRANTY CLAIMS AND PROCEDURES

- a) To be entitled to rights under the Express Limited Warranty, the Consumer shall submit a warranty claim request by contacting SBI's Warranty Department by phone or email within thirty (30) days after discovering a suspected defect, but in any event prior to the expiration of the applicable Warranty Period. Following receipt of such Consumer notice, SBI will work with the Consumer through photographs and dialog to make a provisional warranty determination. If SBI determines that the problem is likely covered by the Express Limited Warranty, SBI will authorize repair or replacement of the defective component by issuing a provisional warranty approval. Components that the Consumer claims to be defective shall be available to SBI for inspection and testing.

- b) In the event SBI determines an SBI-manufactured part or component is covered by SBI's Express Limited Warranty, SBI will pay for ground domestic return shipment of the repaired or replacement part to the Consumer if the faulty product is shipped to the SBI's factory. SBI bears the risk of loss or damage while the equipment or component is in transit to the Consumer from SBI's service center, and the Consumer bears the risk of loss or damage while the equipment or component is in transit to the SBI service center.
- c) Upon receipt of replacement equipment or component, the Consumer has thirty (30) days to return the defective equipment or component to SBI for actual warranty determination. If the Consumer does not return the defective equipment or component within the prescribed time, the Consumer shall pay to SBI the list price of such equipment or component, plus applicable shipping. Such failure to return the equipment or component may at SBI's discretion, be grounds for termination of the warranty and/or suspension of any future advance exchange privileges until such outstanding defective equipment or component has been returned.
- d) All defective equipment or components replaced by SBI become the property of SBI.

7. WARRANTY EXCLUSIONS

To the full extent permitted by law, SBI does not warrant or guarantee, and is not responsible for:

- a) Defects, failures, damages or performance limitations caused in whole or in part by 1) Use of non-SBI parts in warranty repair, 2) welding on or of the hull or superstructure, 3) any alteration in the collar system, 4) any work performed on a fuel tank, 5) permanently attaching any structure to the deck, hull, and/or superstructure other than original equipment parts, and 6) creating holes, welding, or cutting into/on the deck, superstructure, or collar system. Any of these actions will void the Warranty of the altered system unless explicitly approved in writing by SBI.
- b) Effects and failures due to accident, collision, or impact, use of unsuitable parts or add-on items, use of unauthorized parts, shipping damage, neglect, negligence, normal wear and tear, and/or damage due to combat or warfare. SBI's sole obligation under this Express Limited Warranty shall be to repair any defective material or workmanship covered by this Express Limited Warranty.
- c) Moorage fees, dock fees, launch or recovery, crane services or hoisting.
- d) Alterations and modifications of any component of the vessel without first obtaining the written authorization of SBI.
- e) Tears, fading, discoloration, deterioration, damage, or mildewing of curtains, cushions, tops, headliners, cockpit, sole covers or other fabric or upholstered components.

- f) Blistering, fading, chalking, or cracking of any paint, or metallic finish, minor cosmetic defects, and air voids.
- g) Electrolysis, galvanic corrosion, crevice corrosion or any other deterioration of underwater components. Any damage or deterioration to any metal surface (above or below the water line), including but not limited to painted metal or stainless-steel finishes or zinc anodes.
- h) Statements, advertising, or representations that estimate the speed, weight, fuel consumption and other performance characteristics of the vessel.
- i) Components repaired or replaced unless repaired or replaced in accordance with this warranty.
- j) Hull, superstructure, fuel tank, collar, or component failure or defects that are a result of abnormal wear and tear, climatic conditions, racing, rental, or charter use; abuse, misuse, intentional and/or negligent damage, overloading, modification, vandalism, lack of proper maintenance, accident, collision, or striking an object, fire, other casualty loss or docking damage.
- k) Cost of any repairs by a non-authorized service provider unless pre-approved by SBI.

8. LIMITATIONS OF WARRANTY

REPAIR OR REPLACEMENT OF THE WARRANTED COMPONENTS IDENTIFIED UNDER SECTION 2 OF THE WARRANTY SHALL BE AT SBI'S SOLE DISCRETION AND SHALL BE THE SOLE AND EXCLUSIVE REMEDY OF THE CONSUMER.

ANY ORAL STATEMENT OR PRINTED ADVERTISING REGARDING ANY PERFORMANCE CHARACTERISTIC OF THE BOAT OR ITS COMPONENTS SHALL BE CONSIDERED AN ESTIMATE ONLY AND SHALL NOT BE RELIED UPON AS AN EXPRESS WARRANTY OR REPRESENTATION OR AS A BASIS OF THE BARGAIN FOR THE BOAT OR ITS COMPONENTS.

THE RIGHTS AND REMEDIES AVAILABLE UNDER THIS EXPRESS LIMITED WARRANTY ARE EXCLUSIVE AND GIVEN IN LIEU OF ALL OTHER WARRANTIES, CONDITIONS, REPRESENTATIONS AND GUARANTEES, EXPRESS OR IMPLIED, INCLUDING WARRANTIES OF MERCHANTABILITY OR FITNESS FOR A PARTICULAR PURPOSE WHETHER ARISING BY LAW, CUSTOM, CONDUCT OR USAGE OF TRADE. ALL SUCH IMPLIED WARRANTIES ARE SPECIFICALLY DISCLAIMED. NO BREACH OF WARRANTY SHALL BE CAUSE FOR CANCELLATION OR RESCISSION OF CONSUMER'S BOAT CONSTRUCTION AND PURCHASE AGREEMENT.

SBI FURTHER DISCLAIMS ANY LIABILITY FOR ECONOMIC LOSS ARISING FROM CLAIMS OF PRODUCT FAILURE, NEGLIGENCE, DEFECTIVE DESIGN, MANUFACTURING DEFECT, FAILURE TO WARN AND/OR INSTRUCT, LACK OF SEAWORTHINESS, AND ANY OTHER THEORY OF LIABILITY NOT EXPRESSLY COVERED UNDER THE TERMS OF THIS LIMITED WARRANTY.

CONSUMER'S REMEDIES SHALL BE LIMITED AS STATED HEREIN AND SBI SHALL NOT BE LIABLE FOR ANY INCIDENTAL, CONSEQUENTIAL, INDIRECT OR PUNITIVE DAMAGES OR LOSSES RESULTING FROM DEFECTS.

SOME STATES DO NOT ALLOW LIMITATIONS ON HOW LONG AN IMPLIED WARRANTY LASTS AND/OR DO NOT ALLOW THE EXCLUSION OR LIMITATION OF INCIDENTAL OR CONSEQUENTIAL DAMAGES, SO THE ABOVE LIMITATION OR EXCLUSIONS MAY NOT APPLY TO A PARTICULAR CONSUMER. THIS WARRANTY GIVES THE CONSUMER SPECIFIC LEGAL RIGHTS AND THE CONSUMER MAY ALSO HAVE OTHER RIGHTS WHICH VARY FROM STATE TO STATE.

9. WARRANTY TERRITORY

All warranty services shall be provided in those SBI approved facilities worldwide.

10. MISCELLANEOUS

SBI reserves the right to modify its boats through changes in design/material without incurring any responsibility to boat owners of similar or the same model manufactured at an earlier date. This warranty contains the entire warranty agreement of the Consumer and SBI. No prior representations, negotiations, or conversations shall supersede the contents of this warranty. SBI reserves the right to utilize reconditioned, refurbished, or repaired products or parts in the warranty repair or replacement process.

11. LIMITATIONS ON CLAIMS; APPLICABLE LAW AND VENUE FOR DISPUTE RESOLUTION

Any dispute or claim arising under this limited warranty or pertaining to the boat must be submitted to binding arbitration in accordance with Washington's Uniform Arbitration Act, RCWA 7.04A.010 et seq. Claims not brought within one (1) year from the occurrence of the facts giving rise to such claim, regardless of when it becomes known, shall be barred. Any arbitration brought by SBI, any Consumer or subsequent owner regarding any matter relative to this limited warranty or the boat shall be brought

in the county where SBI's principal office is then located. In any such procedure, each party shall be solely responsible for their own costs and attorney's fees and the laws of the State of Washington shall apply to the exclusion of any conflicts of law statute or case law.

12.WARRANTY REGISTRATION AND TRANSFERABILITY

SBI includes with each new boat it manufactures a Product Registration Card that must be completed and returned to SBI within thirty (30) days after delivery of your new SBI boat. Federal law requires all boat manufacturers to maintain a record of all first retail purchasers and their current address for the purpose of notification in case of discovery of defective parts or equipment that create a substantial risk of personal injury to the public.

NO WARRANTY CLAIM WILL BE CONSIDERED, APPROVED OR PAID UNLESS THE PRODUCT REGISTRATION CARD IS COMPLETED AND RETURNED TO SBI AT THE ADDRESS NOTED BELOW WITHIN THIRTY (30) DAYS AFTER DELIVERY OF YOUR NEW SBI VESSEL. IN ADDITION, FAILURE TO RETURN THE PRODUCT REGISTRATION CARD TO SBI CONSTITUTES A WAIVER OF YOUR RIGHT TO RECEIVE NOTIFICATION OF DEFECT AND/OR REPAIR AT SBI'S EXPENSE IN THE FUTURE.

13.NOTICES

All notices herein shall be delivered by U.S. Mail; postage prepaid, to the Consumer at the address contained in SBI's database and to SBI at: 8800 SW Barney White Rd., Bremerton, Washington, 98312.

PRODUCT REGISTRATION CARD

Hull I.D. # _____ Model _____ Year _____

Consumer's Name: _____

Address: _____ Phone: _____

City: _____ State: _____ Zip code: _____

Email address: _____

Purchase date: _____ Delivery date: _____

Consumer's signature: _____ Date: _____

CONSUMER ACKNOWLEDGES RECEIPT OF THIS LIMITED WARRANTY AT THE TIME OF DELIVERY, THAT HE/SHE HAS READ THIS LIMITED WARRANTY IN ITS ENTIRETY AND UNDERSTANDS AND ACCEPTS ITS TERMS AND CONDITIONS.

STATE AND LOCAL GOVERNMENT CUSTOMERS

Multiple authorized programs allow state and local governments the eligibility to use GSA Schedules for select purchases, saving taxpayers money. There is no additional fees involved but there is an additional discount. The definitions of the organizations qualified for the use of these purchasing programs is listed at the end of this letter. Please fill in and return the last page by checking the box of the program you will be using and filling out the included table with your organizations information and that of the group that will be processing the order (Usually the same group that issues the Contract or Purchase Order). If you have any questions about whether you qualify or not please let us know and we would be happy to assist you.

General GSA Guidance

State and local government entities are encouraged to use GSA's Schedule Ordering Procedures to ensure the benefit of receiving the best value from GSA Schedule contractors, but may use whatever established competitive ordering procedures are needed to meet their state and local acquisition regulations.

For the Disaster Recovery and Cooperative Purchasing Programs

Ordering activities can include terms and conditions required by state or local statutes, ordinances, regulations, or orders. However, the additional terms and conditions must be included as a part of the Statement of Work (SOW) or the Statement of Objectives (SOO) and must not conflict with the terms and conditions of the GSA Schedule contract. *We can assist you with the incorporation of your required terms and conditions.*

AVAILABLE PROGRAMS

Cooperative Purchasing

[GSA Cooperative Purchasing Program Page](#)

State and local government entities may purchase firefighting and rescue equipment, law enforcement and security equipment, marine craft and related equipment, special purpose clothing, and related services from contracts awarded under GSA Federal Supply Schedule 84, Total Solutions for Law Enforcement, Security, Facility Management Systems, Fire, Rescue, Special Purpose Clothing, Marine Craft, and Emergency/Disaster Response.

The [Cooperative Purchasing Frequently Asked Questions \(FAQs\)](#) provide information as to how the Disaster Recovery Purchasing Program actually works and the benefits it provides to Schedule contractors and state and local entities.



Disaster Recovery Purchasing

[GSA Disaster Recovery Purchasing Program Page](#)

Under the Disaster Recovery Purchasing Program, state and local government entities may purchase a variety of products and services from contracts awarded under GSA Federal Supply Schedules

The [Disaster Recovery Purchasing Frequently Asked Questions \(FAQs\)](#) provide information as to how the Disaster Recovery Purchasing Program actually works and the benefits it provides to Schedule contractors and state and local entities

Public Health Emergencies Program

[GSA Public Health Emergencies Program Page](#)

When a Public Health Emergency (PHE) is declared, state, local, tribal and territorial governments can now benefit from the speed, savings, and ease of use of the Federal Supply Schedules. These eligible ordering entities are now authorized to access all Federal Supply Schedules for the purchase of supplies and services when expending federal grants funds in response to Public Health Emergencies (PHEs) declared by the Secretary of Health and Human Services under section 319 of the Public Health Services Act, codified at 42 U.S.C. § 247d.

1122 Counter-Drug Program

[GSA 1122 Program Page](#)

Section 1122 of the fiscal year 1994 National Defense Authorization Act established the authority for states and units of local government to purchase law enforcement equipment through federal procurement channels, provided that the equipment is used in the performance of counter-drug activities. The "1122 Program" affords state and local governments the opportunity to maximize their use of taxpayer dollars, by taking advantage of the purchasing power of the federal government to receive discounts commensurate with large volume purchases.

The governor of each state participating in the 1122 Program designates a [State Point of Contact \(SPOC\)](#) to administer the state's activities under the program, by validating the counter-drug mission of each procurement request, and ensuring the availability of funds. Contacting your SPOC is the first step to utilizing this program.



Please check the box of the purchasing program being used:

<input type="checkbox"/>	Cooperative Purchasing
<input type="checkbox"/>	Disaster Recovery Purchasing
<input type="checkbox"/>	Public Health Emergencies Program
<input type="checkbox"/>	1122 Program

	End User	Ordering Agency (Contracting-Financial-PO Generating Authority)
Organization Name		
Address		
POC Title/Name:		
Phone		
Email		

Submitted by: _____

Authorized Groups:

"State and local government entities," as used in this subpart, means the states of the United States, counties, municipalities, cities, towns, townships, tribal governments, public authorities (including public or Indian housing agencies under the United States Housing Act of 1937), school districts, colleges and other institutions of higher education, council of governments (incorporated or not), regional or interstate government entities, or any agency or instrumentality of the preceding entities (including any local educational agency or institution of higher education), and including legislative and judicial departments. The term does not include contractors of, or grantees of, State or local governments.

(1) "Local educational agency" has the meaning given that term in section 8013 of the Elementary and Secondary Education Act of 1965 (20 U.S.C. 7713).

(2) "Institution of higher education" has the meaning given that term in section 101(a) of the Higher Education Act of 1965 (20 U.S.C. 1001(a)).

(3) "Tribal government" means—

(i) The governing body of any Indian tribe, band, nation, or other organized group or community located in the continental United States (excluding the State of Alaska) that is recognized as eligible for the special programs and services provided by the United States to Indians because of their status as Indians; and

(ii) Any Alaska Native regional or village corporation established pursuant to the Alaska Native Claims Settlement Act (43 U.S.C. 1601 *et seq.*).

This does not include contractors or grantees of state or local governments